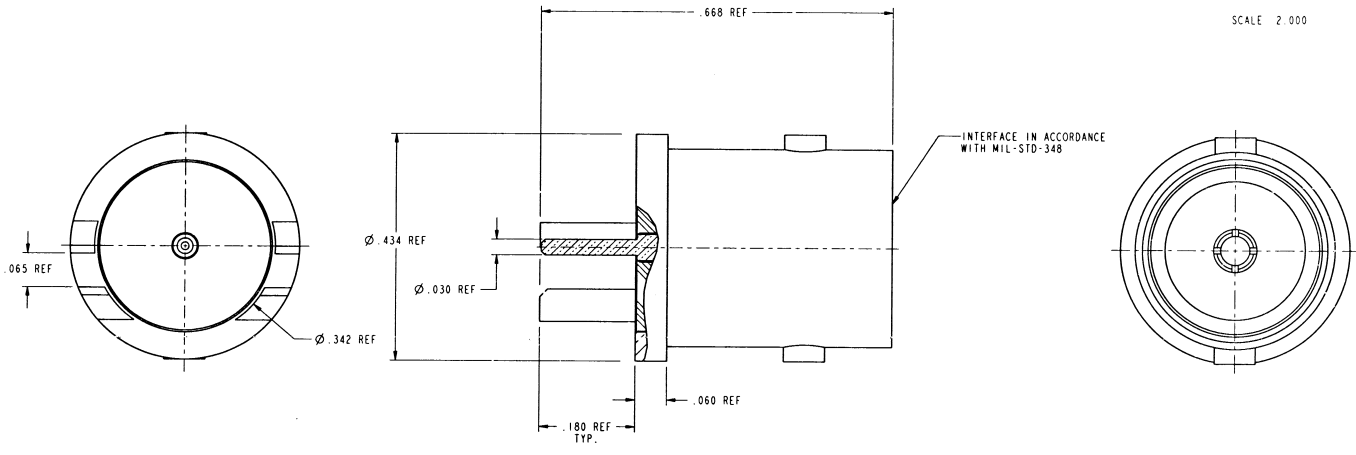
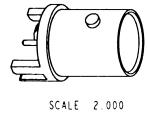


31-6009		REVISIONS			
DRAWING NO.	REV	DESCRIPTION	DATE	ECO	APPR
THIRD ANGLE PROJ.	A	OFFICIAL ENG. RELEASE TO MFG.	3/12/99	42888	GA
	B	ROTATE STUDS 90°, DELETE "AMPHENOL" STAMP CHANGE: NO TO: NA	7/29/99	43091	GA

NOTES:  
 1. MATERIALS OF CONSTRUCTIONS:  
 BODY - BRASS, NICKEL PLATE.  
 INSULATOR - PTFE.  
 CONTACT - BERYLLIUM COPPER, GOLD PLATE.  
 2. DO NOT SCALE THIS DRAWING.



CUSTOMER OUTLINE DRAWING  
 FOR REFERENCE ONLY

UNLESS OTHERWISE SPECIFIED, DIMENSIONS ARE IN INCHES AND TOLERANCES ARE: 2 PLACE DECIMAL ± .015 (0.381 mm) 3 PLACE DECIMAL ± .005 (0.127 mm) ANGLES ± 1° NOTICE: These drawings, specifications, or other data (1) are, and remain the property of Amphenol Corp. (2) must be returned upon request; and (3) are confidential and not to be disclosed to any person other than those to whom they are given by Amphenol Corp. The furnishing of these drawings, specifications, or other data by Amphenol Corp. or to any other person for any purpose is not to be regarded by implication or otherwise in any manner licensing, granting rights or permission to such holder or any other person to manufacture, use or sell any product, process, design, patented or otherwise, that may in any way be related to or disclosed by said drawings, specifications, or other data.	MATERIAL REFERENCE EARN 967144-0 GEN# ASSY11_BNC75	DRAWN G. ANTONINI ENGINEER G. ANTONINI APPROVED DATE 7/29/99	DATE 10-Dec-98 DATE 10-Dec-98 DATE	TITLE 75 OHM BNC EDGE MOUNT RECEPTACLE	Amphenol Amphenol Corporation Communication and Network Products Division Danbury, CT U.S.A. 06810 SCALE: 6.0:1 SHEET 1 OF 1
	CODE ID 74868	DWG SIZE B	DRAWING NO 31-6009	REV B	