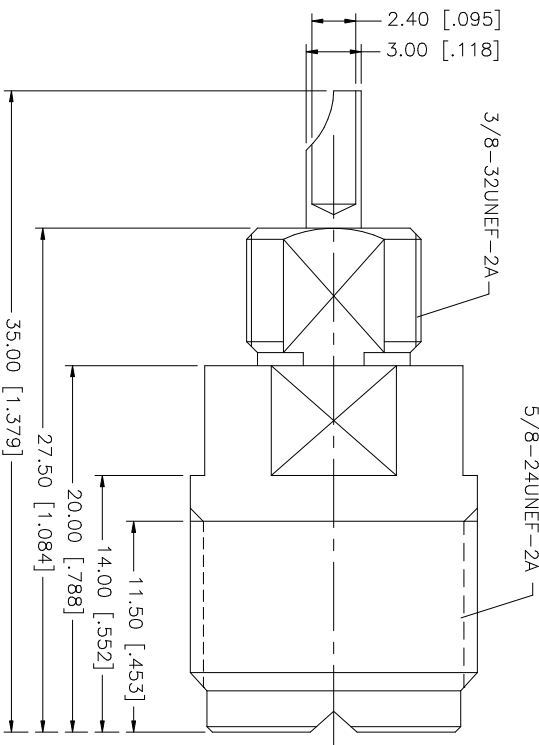
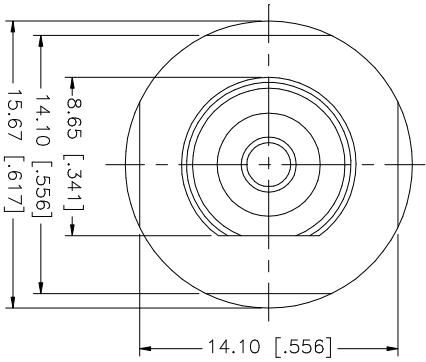
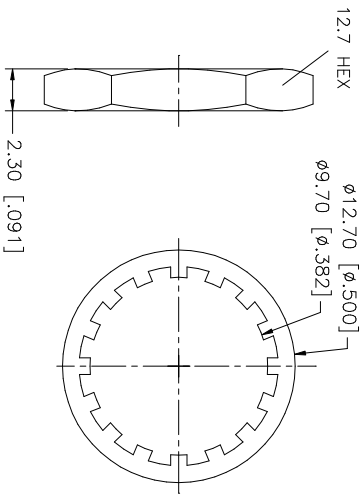
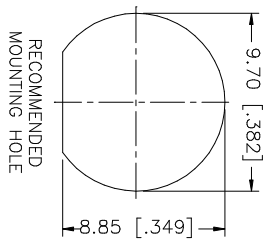


REV.	DATE	DESCRIPTION
NC	05/20/03	INITIAL RELEASE



NO.	DESCRIPTION	MATERIAL	FINISH	QTY	DO NOT SCALE DRAWING	UNLESS OTHERWISE SPECIFIED DIMENSIONS ARE IN MILLIMETERS, DIMENSIONS IN [] ARE IN INCHES AND FOR CUSTOMER REFERENCE ONLY.	UNLESS OTHERWISE SPECIFIED TOLERANCES FOR MILLIMETERS ARE:	UNLESS OTHERWISE SPECIFIED TOLERANCES FOR INCHES ARE:	APPROVALS	DATE	PART DESCRIPTION		
8							0.5 - 8mm ± 0.20mm	0.20 - 0.315 = ± 0.007"	DRAWN	G.R.S.	05/20/03	<p>Amphenol Connex</p> <p>UHF BULKHEAD RECEPTACLE JACK WITH BNC MOUNTING HOLE</p> <p>182131</p>	
7						8 - 30mm ± 0.40mm	0.315 - 1.180 = ± 0.015"	CHECKED					
6						30 - 120mm ± 0.50mm	1.180 - 4.724 = ± 0.020"	ISSUED					
4	HEX NUT	BRASS	NICKEL	1				SHEET	1 OF 1				
3	LOCK WASHER	BRASS	NICKEL	1									
2	CONTACT PIN	BRASS	GOLD	1									
1	INSULATOR BODY	TEFLON	NATURAL	1									
1	DESCRIPTION	BRASS	NICKEL	1									
DESCRIPTION						MATERIAL		FINISH		QTY		DO NOT SCALE DRAWING	
CAD FILE						C:/182/182131.DWG		DWG. NO.		182131.DWG		REV. NC SIZE A SCALE NA	