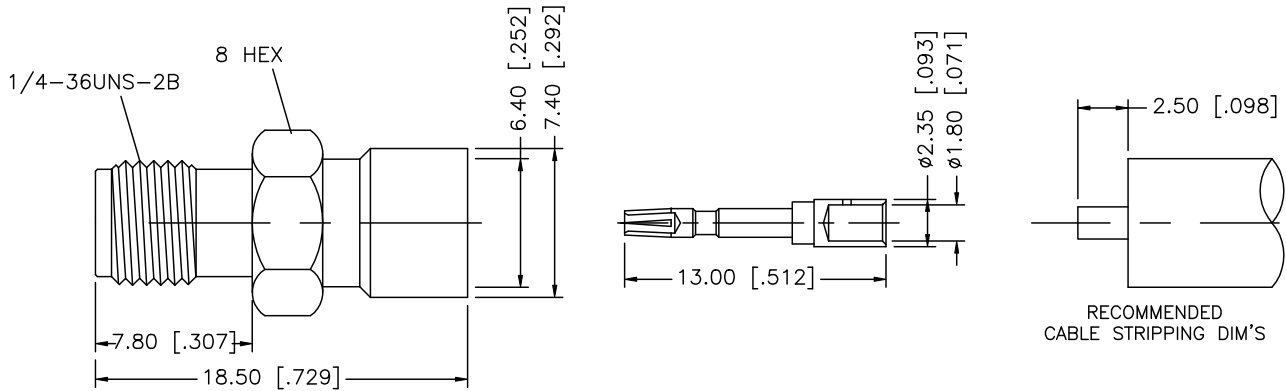


REV.	DATE	DESCRIPTION
NC	06/11/02	INITIAL RELEASE



NOTE:  
1) SOLDER CENTER CONTACT

8				UNLESS OTHERWISE SPECIFIED DIMENSIONS ARE IN MILLIMETERS	APPROVALS	DATE	<h1>Amphenol - Connex</h1> <b>CONNECTOR CORPORATION</b>			
7					DRAWN	G.R.S.				06/11/02
6				DIMENSIONS IN [ ] ARE IN INCHES FOR CUSTOMER REFERENCE ONLY	CHECKED		TITLE SMA DIRECT SOLDER JACK (.250" SEMI RIGID CABLE)			
5					ISSUED					
4				UNLESS OTHERWISE SPECIFIED TOLERANCES FOR INCHES ARE: .XXX = ± 0.005" .XX = ± 0.010" .X = ± 0.020"			SIZE	FSCM NO.	DWG. NO.	REV.
3	CONTACT PIN	BRASS	GOLD					A	99001	132345.DWG
2	INSULATOR	TEFLON	NATURAL	DO NOT SCALE DRAWING			SCALE	PART NO.		SHEET
1	BODY	BRASS	GOLD				NA		132345	1 OF 1