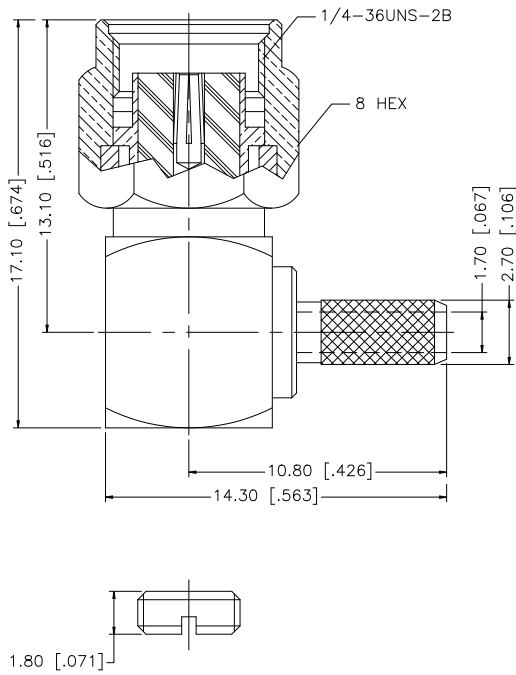


REV.	DATE	DESCRIPTION
NC	09/17/07	INITIAL RELEASE



NOTE:

1. CRIMPED FERRULE HEX CRIMP SIZE .151"
2. CONTACT PIN TO SOLDER

DESCRIPTION	MATERIAL	FINISH	QTY	UNLESS OTHERWISE SPECIFIED DIMENSIONS ARE IN MILLIMETERS. DIMENSIONS IN [] ARE IN INCHES AND FOR CUSTOMER REFERENCE ONLY.	APPROVALS	DATE	Amphenol Connex						
8							SMA REVERSE POLARITY R/A CRIMP PLUG (FOR RG-316/U DOUBLE BRAID CABLE)						
7						PART DESCRIPTION							
6	HEAT SHRINK TUBE	BLACK	1	UNLESS OTHERWISE SPECIFIED TOLERANCES FOR MILLIMETERS ARE: 0.5 - 8mm ± 0.20mm 8 - 30mm ± 0.40mm 30 - 120mm ± 0.50mm	DRAWN	G.R.S.				09/17/07	PART NO.		
5	FERRULE	COPPER	1	UNLESS OTHERWISE SPECIFIED TOLERANCES FOR INCHES ARE: .020 - .315 = ± 0.007" .315 - 1.180 = ± 0.015" 1.180 - 4.724 = ± 0.020"	CHECKED						132182RP		
4	COVER	BRASS	1	DO NOT SCALE DRAWING	ISSUED						DWG. NO. 132182RP.DWG		
3	CONTACT PIN	BER. COPPER	1		SHEET	1 OF 1		REV.	NC	SIZE	A	SCALE	NA
2	INSULATOR	TEFLON	1		CAD FILE	C:/132/132182RP.DWG							
1	HOUSING/BODY	BRASS	1										