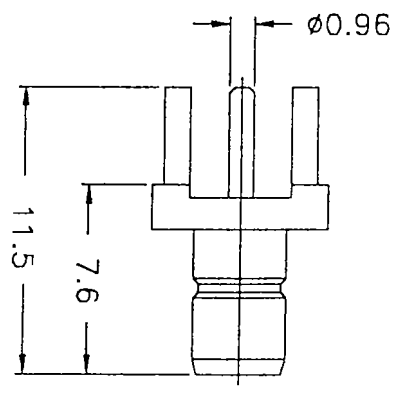
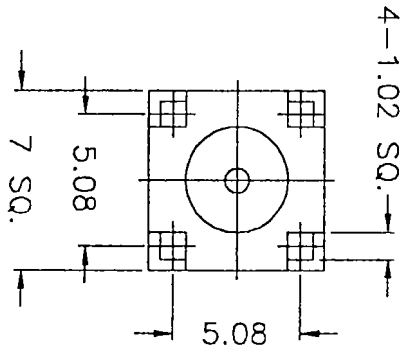


REV.	DATE	DESCRIPTION
NC	9-4-96	INITIAL RELEASE



DESCRIPTION	MATERIAL	FINISH	DIMENSIONS ARE IN MILLIMETERS UNLESS OTHERWISE SPECIFIED TOLERANCES ARE:		APPROVALS	DATE	TITLE			
1 BODY	BRASS	NICKEL	0.5-6 = ± 0.2	DRAWN	G.R.S	9-4-96	SIZE	FSQA NO.	DWG. NO.	REV.
2 INSULATOR	TEFLON	NATURAL	6-30 = ± 0.4	CHECKED			A	99001	142136	NC
3 CONTACT	BRASS	GOLD	30-120 = ± 0.6	ISSUED			SCALE	PART NO.	SHEET	
4			120-315 = ± 1				4:1	142136	1	OF 1
5			315-1000 = ± 1.6							
6			1000-2000 = ± 2.4							
7										
8										



SMB STRAIGHT RECEPTACLE PCB 50ohm

DO NOT SCALE DRAWING