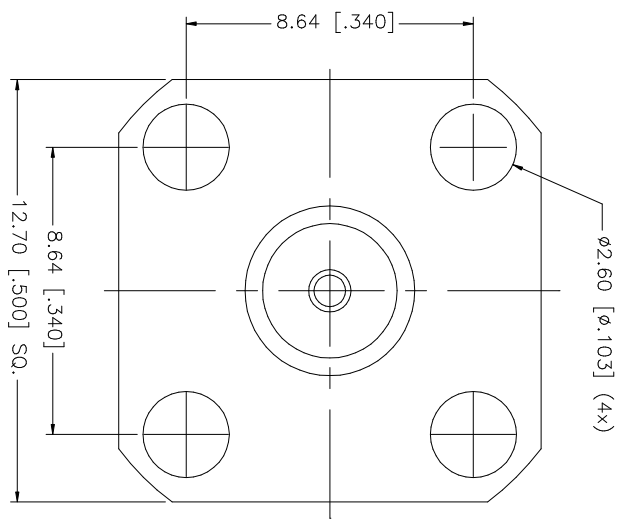
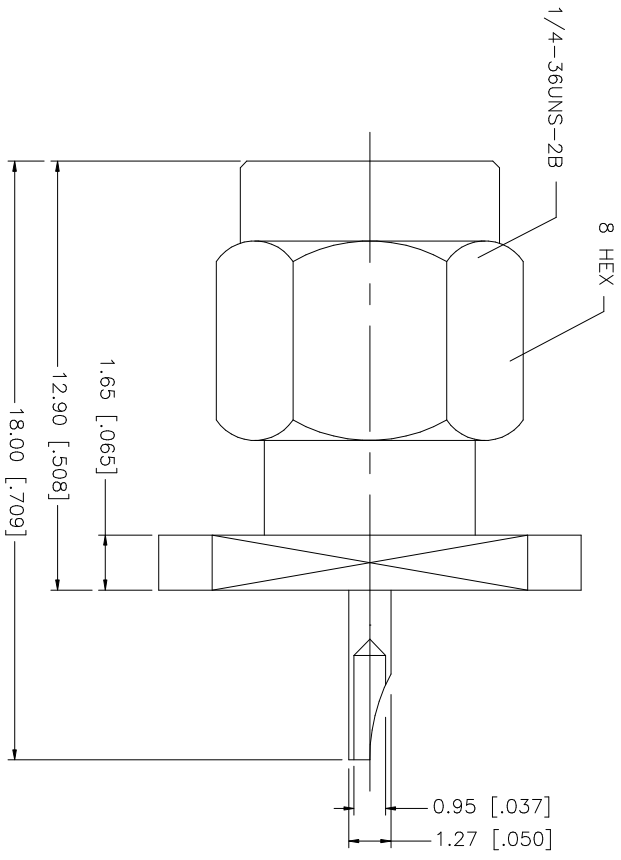


REV.	DATE	DESCRIPTION
NC	05/31/06	INITIAL RELEASE



NO.	DESCRIPTION	MATERIAL	FINISH	QTY	UNLESS OTHERWISE SPECIFIED DIMENSIONS ARE IN MILLIMETERS. DIMENSIONS IN [] ARE IN INCHES AND FOR CONVENIENCE ONLY.	UNLESS OTHERWISE SPECIFIED TOLERANCES FOR MILLIMETERS ARE:	UNLESS OTHERWISE SPECIFIED TOLERANCES FOR INCHES ARE:	APPROVALS	DATE	PART DESCRIPTION	PART NO.	DWG. NO.	REV.	SIZE	SCALE
8						0.5 - 8mm ± 0.20mm	.020 - .315 = ± 0.007"	DRAWN	G.R.S.	05/31/06	Amphenol Connex				
7						8 - 30mm ± 0.40mm	.315 - 1.180 = ± 0.015"	CHECKED			SMA PANEL RECEPTACLE PLUG				
6						30 - 120mm ± 0.50mm	1.180 - 4.724 = ± 0.020"	ISSUED			-				
5								SHEET	1 OF 1		132140				
4											132140.DWG				
3	CONTACT PIN	BRASS	GOLD	1							REV. NC				
2	INSULATOR	TEFLON	NATURAL	1							SIZE A				
1	BODY	BRASS	NICKEL	1							SCALE NA				
DESCRIPTION								DO NOT SCALE DRAWING							