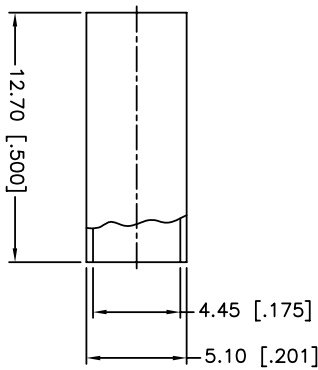
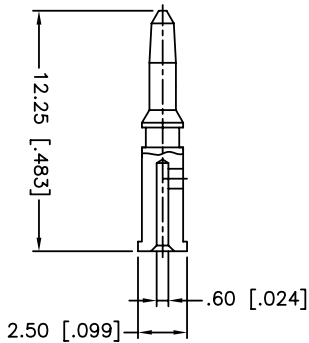
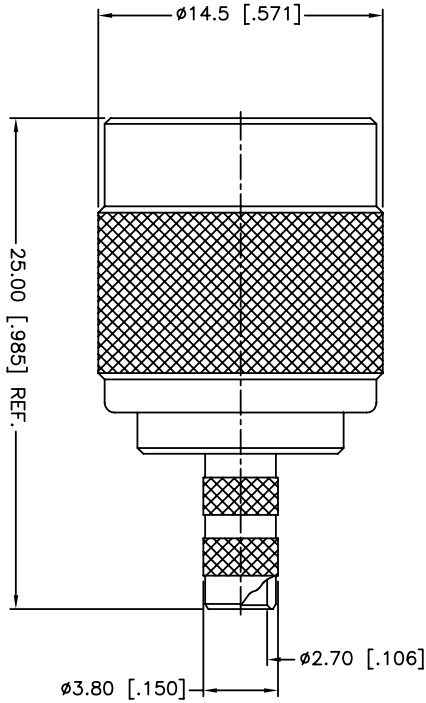
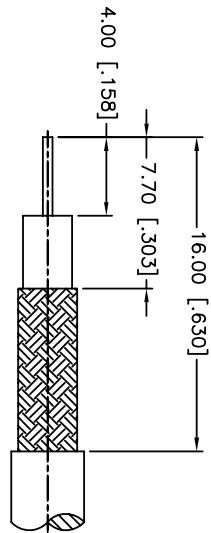


REV.	DATE	ECR NO.	DESCRIPTION
NC	08/20/09	XXXXXX	INITIAL RELEASE



1. CRIMPED FERRULE
HEX CRIMP SIZE .178"
2. CRIMPED CONTACT PIN
HEX CRIMP SIZE .068"

QTY	DESCRIPTION	MATERIAL	FINISH
1	FERRULE	COPPER	NICKEL
1	WASHER	BRASS	NICKEL
1	RING	DELRIIN	NATURAL
1	RETAINER RING	BRASS	NICKEL
1	GASKET	RUBBER	RED
1	CONTACT PIN	BRASS	GOLD
1	INSULATOR	DELRIIN	NATURAL
1	BODY	BRASS	NICKEL
1	SHELL	BRASS	NICKEL
	DESCRIPTION	MATERIAL	FINISH

APPROVALS	DATE
DRAWN C.WANG	08/20/09
CHECKED	
ISSUED	
SHEET 1 OF 1	

UNLESS OTHERWISE SPECIFIED, DIMENSIONS ARE IN MILLIMETERS UNLESS INDICATED OTHERWISE IN [] ARE IN INCHES AND FOR CUSTOMER REFERENCE ONLY.
TOLERANCES FOR MILLIMETERS ARE: 0.5 - 8mm ± 0.20mm 8 - 30mm ± 0.40mm 30 - 120mm ± 0.50mm
TOLERANCES FOR INCHES ARE: .020 - .315 = ± 0.007" .315 - 1.180 = ± 0.015" 1.180 - 4.724 = ± 0.020"

DO NOT SCALE DRAWING
QAD FILE C:/CONNEX/122457.DWG

PART DESCRIPTION	PART NO.
TNC CRIMP PLUG (FOR BELDEN 1865A, 8218, B1417B, B1164B, RG-8809)	122457

DWG. NO.	REV.	NC	SIZE	SCALE
122457.DWG			A	NA

Amphenol Connex

TNC CRIMP PLUG (FOR BELDEN 1865A, 8218, B1417B, B1164B, RG-8809)

122457