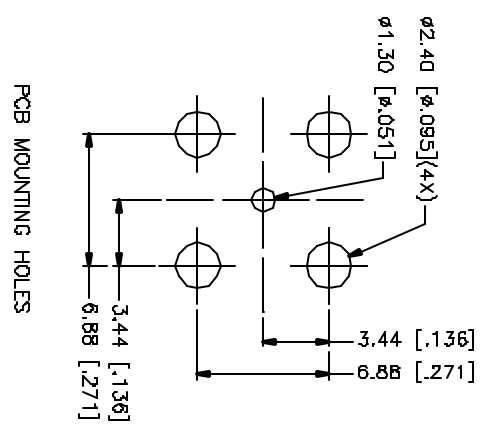
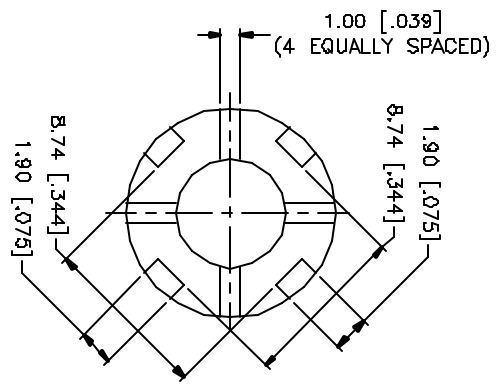
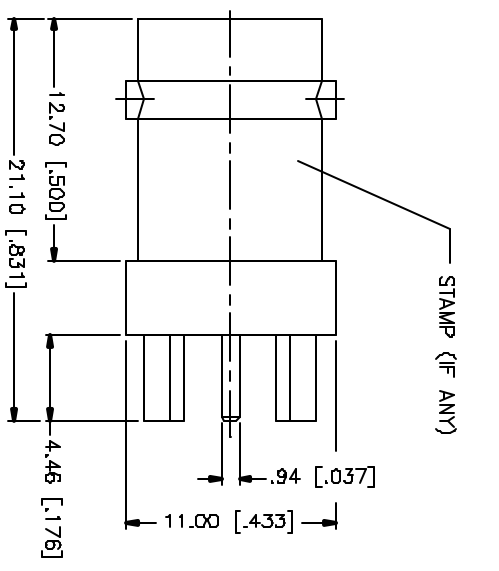


REV.	DATE	DESCRIPTION
A	05/01/04	UPDATE DRAWING FORMAT



QTY	FINISH	MATERIAL	DESCRIPTION
1	NICKEL	BRASS	LOCK RING
1	GOLD	PHOS. BRONZE	CONTACT FIN
2	WHITE	PBT	INSULATOR
1	NICKEL	BRASS	BODY

APPROVALS	DATE
DRAWN G.R.S.	05/01/04
CHECKED	
ISSUED	
SHEET 1 OF 1	

UNLESS OTHERWISE SPECIFIED DIMENSIONS ARE IN INCHES AND FOR DIMENSIONS REFER TO MIL-STD-208	UNLESS OTHERWISE SPECIFIED DIMENSIONS FOR MILLIMETER ARE
0.5 - 8mm ± 0.20mm	30 - 120mm ± 0.50mm
8 - 30mm ± 0.40mm	
UNLESS OTHERWISE SPECIFIED DIMENSIONS FOR METERS ARE	
.020 - .315 = ± 0.007	
.315 - 1.180 = ± 0.015	
1.180 - 4.724 = ± 0.020	

DO NOT SCALE DRAWING	DWG. NO.	REV.	SIZE	SCALE
	112543.DWG	A	A	NA

PART NO.	PART DESCRIPTION
112543	BNC P.C. MOUNT RECEIPT JACK

Amphenol Connex