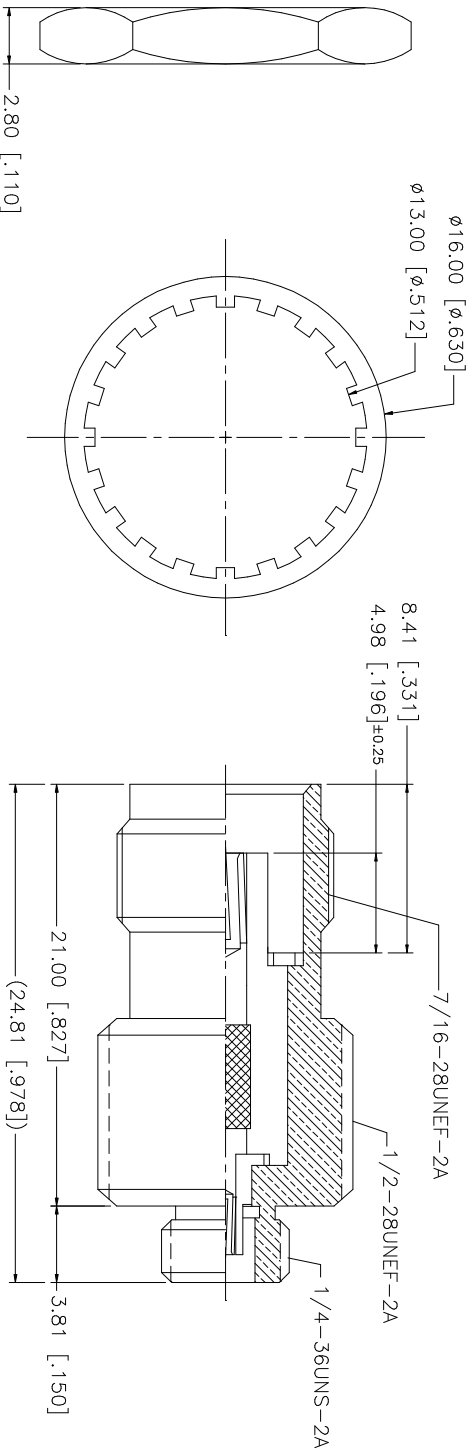


REV.	DATE	DESCRIPTION
A	12/05/02	ADD 1/4-36UNS-2A MATING FACE
B	01/29/03	MODIFY OVERALL BODY DIMENSIONS
C	03/18/04	ADD LOCK RING DIMENSION



NOTES:
1. MAX. PANEL THICKNESS = 6.5mm

NO.	DESCRIPTION	MATERIAL	FINISH	QTY	UNLESS OTHERWISE SPECIFIED DIMENSIONS ARE IN INCHES AND FOR CUSTOMER REFERENCE ONLY.	UNLESS OTHERWISE SPECIFIED TOLERANCES FOR MILLIMETERS ARE:	UNLESS OTHERWISE SPECIFIED TOLERANCES FOR INCHES ARE:	APPROVALS	DATE	PART DESCRIPTION							
8										<p style="text-align: center;">Amphenol Connex</p> <p style="text-align: center;">PART DESCRIPTION</p> <p style="text-align: center;">TNC BULKHEAD JACK TO MCX JACK ADAPTER</p> <p style="text-align: center;">PART NO. 242190</p>							
7	LOCK RING	BRASS	NICKEL	1	UNLESS OTHERWISE SPECIFIED TOLERANCES FOR MILLIMETERS ARE:	UNLESS OTHERWISE SPECIFIED TOLERANCES FOR INCHES ARE:	DRAWN	G.R.S.	03/18/04								
6	HEX NUT	BRASS	NICKEL	1	0.5 - 8mm ± 0.20mm	.020 - .315 = ± 0.007"	CHECKED										
5	LOCK WASHER	BRASS	NICKEL	1	8 - 30mm ± 0.40mm	.315 - 1.180 = ± 0.015"	ISSUED										
4	INSULATOR	TEFLON	NATURAL	1	30 - 120mm ± 0.50mm	1.180 - 4.724 = ± 0.020"	SHEET	1 OF 1									
3	CONTACT PIN	BER. COPPER	GOLD	1													
2	BODY	BRASS	GOLD	1													
1	DESCRIPTION	MATERIAL	FINISH	QTY	DO NOT SCALE DRAWING		CAD FILE	C:/242/242190.DWG			DWG. NO.	242190.DWG	REV.	C	SIZE	A	SCALE