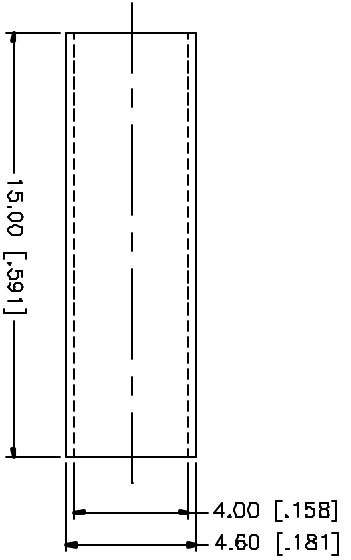
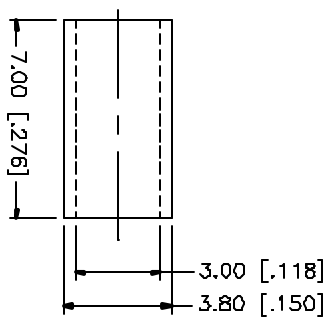
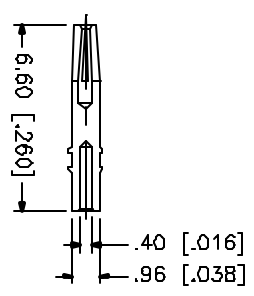
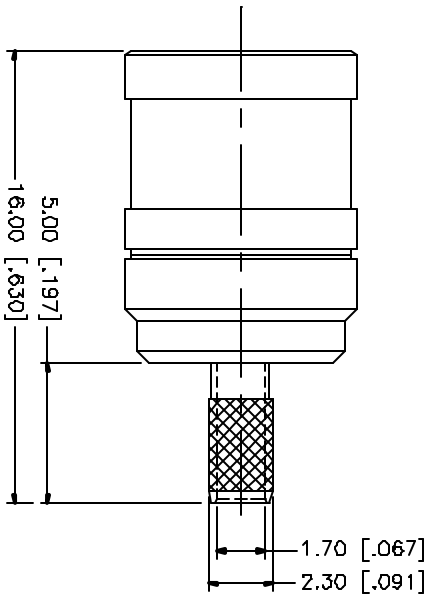
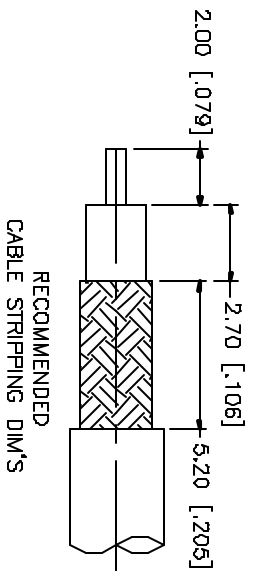


REV.	DATE	DESCRIPTION
A	01/14/04	UPDATE DRAWING FORMAT



NOTE:  
 1. CRIMPED FERRULE  
 HEX CRIMP SIZE .128"  
 2. CONTACT PIN TO SOLDER.

DESCRIPTION	MATERIAL	FINISH	QTY	DO NOT SCALE DRAWING	APPROVALS	DATE	PART DESCRIPTION	
8					DRAWN	G.R.S.	01/14/04	<b>Amphenol Connex</b> SMB CRIMP PLUG (FOR RG-179/U, 187A/U) 142103
7					CHECKED			
6					ISSUED			
5	HEAT SHRINK TUBE	BLACK	1		SHEET	1 OF 1		
4	FERRULE	COPPER	1		DWG. NO.	142103.DWG		
3	CONTACT PIN	BER, COPPER	1		REV.	A		
2	INSULATOR	TEFLON	1		SIZE	A		
1	BODY	BRASS	1		SQLE	NA		