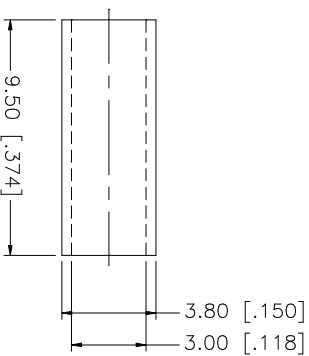
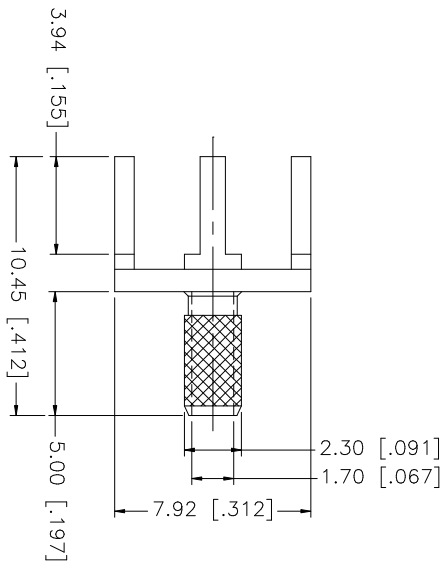
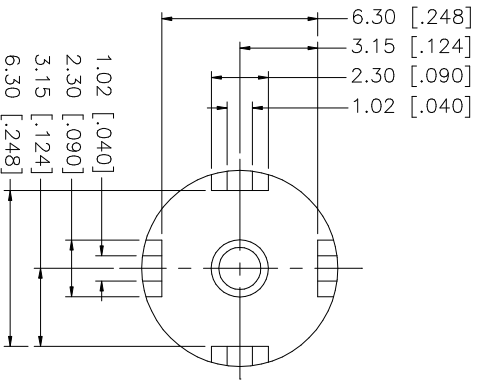
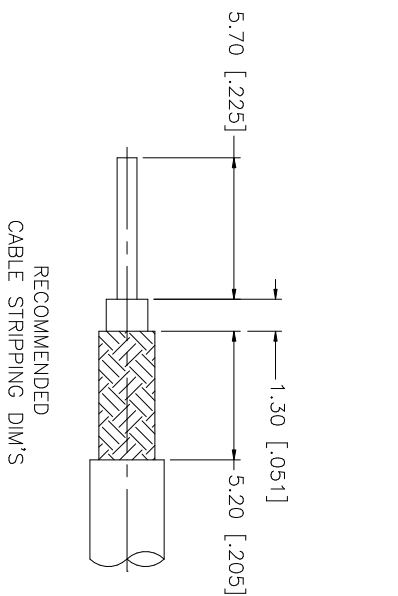
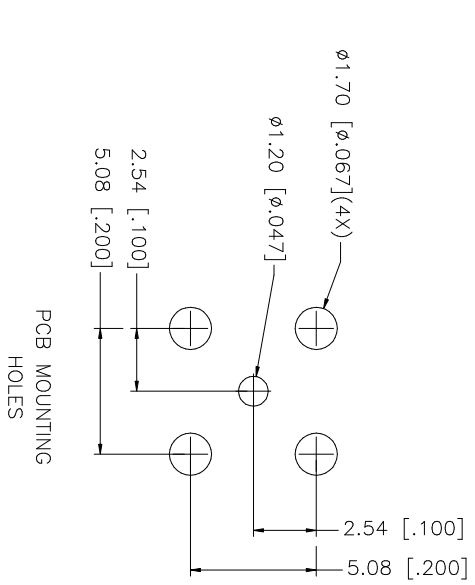


REV.	DATE	DESCRIPTION
A	06/05/03	UPDATE DRAWING FORMAT



NOTE:  
1. CRIMPED FERRULE  
HEX CRIMP SIZE .128"

NO.	DESCRIPTION	MATERIAL	FINISH	QTY	UNLESS OTHERWISE SPECIFIED DIMENSIONS ARE IN MILLIMETERS. DIMENSIONS IN [ ] ARE IN INCHES AND FOR CUSTOMER REFERENCE ONLY. TOLERANCES FOR MILLIMETERS ARE:	APPROVALS	DATE	PART DESCRIPTION	
8					0.5 - 8mm ± 0.20mm	DRAWN G.R.S.	06/05/03	PCB MOUNT CABLE TERMINAL (FOR RG-174/U, 188A/U, 316/U)	
7					8 - 30mm ± 0.40mm				
6					30 - 120mm ± 0.50mm	CHECKED			
5					UNLESS OTHERWISE SPECIFIED TOLERANCES FOR INCHES ARE:	ISSUED			
4					.020 - .315 = ± 0.007"	SHEET 1 OF 1			
3					.315 - 1.180 = ± 0.015"	CAD FILE			
2	FERRULE	COPPER	GOLD	1	1.180 - 4.724 = ± 0.020"	C:/142/142200.DWG			
1	BODY	BRASS	GOLD	1		DWG. NO.			
	DESCRIPTION	MATERIAL	FINISH	QTY	DO NOT SCALE DRAWING	142200.DWG	REV. A	SIZE A	SCALE NA

**Amphenol Connex**