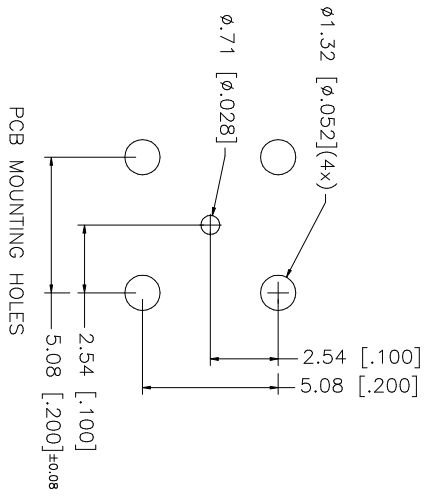
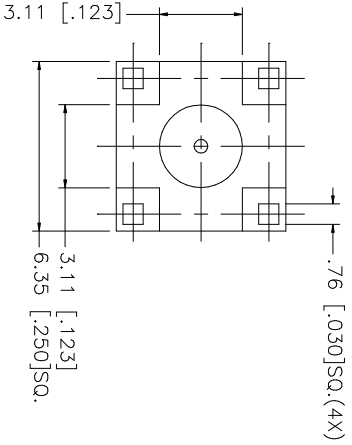
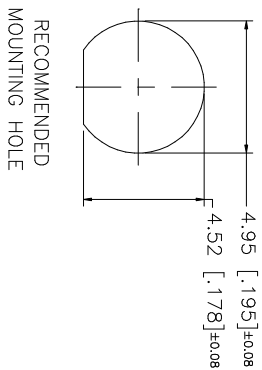
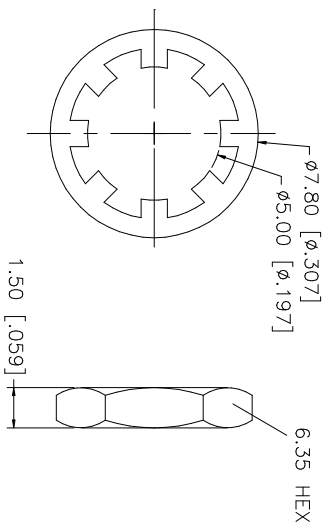
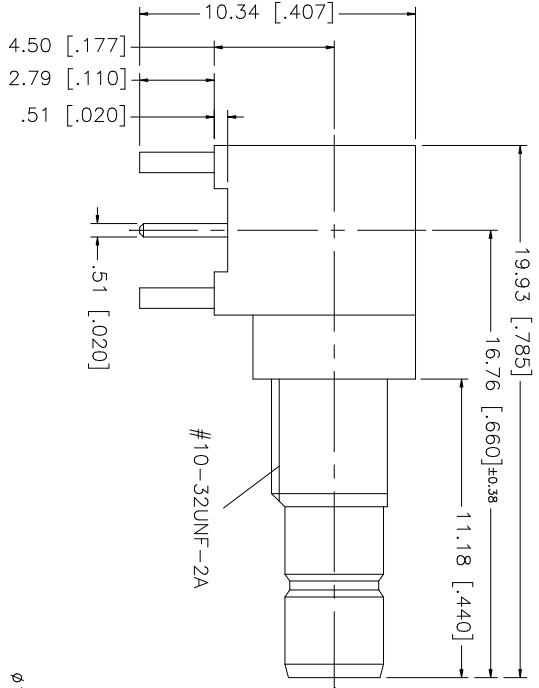


REV.	DATE	DESCRIPTION
NC	12/15/03	INITIAL RELEASE



NOTE:
1. MAX. PANEL THICKNESS = 2.36mm [.093]

QTY	DESCRIPTION	MATERIAL	FINISH	QTY	DO NOT SCALE DRAWING	APPROVALS	DATE	PART DESCRIPTION							
1	LOCK WASHER	BRASS	GOLD	1		DRAWN	G.R.S.	12/15/03							
1	HEX NUT	BRASS	GOLD	1		CHECKED									
1	CONTACT PIN	BRASS	GOLD	1		ISSUED									
1	INSULATOR BODY	TEFLON BRASS	NATURAL GOLD	1		SHEET	1 OF 1								
1	DESCRIPTION	MATERIAL	FINISH	QTY		CAD FILE	C:/142/142325-75.DWG	DWG. NO.	142325-75.DWG	REV.	A	SIZE	A	SCALE	NA

Amphenol Connex

SMB R/A P.C. MOUNT JACK

142325-75