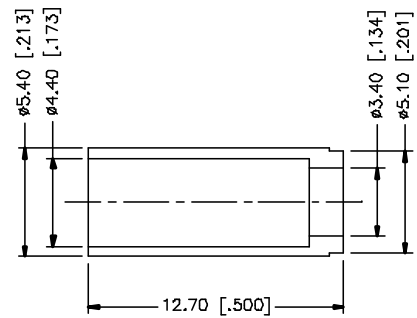
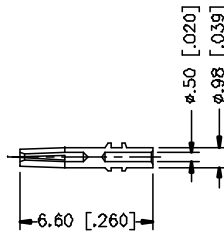
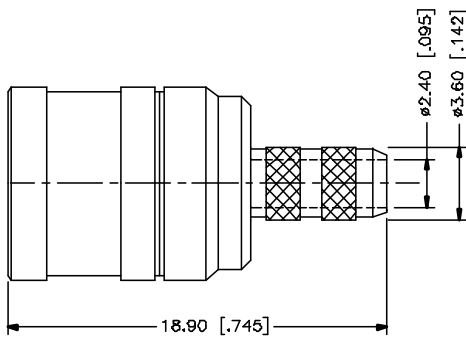
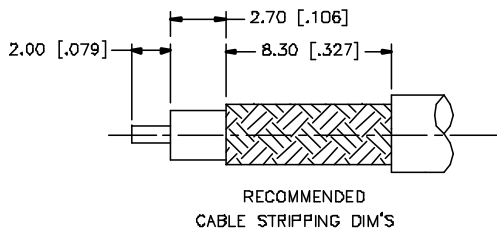


REV.	DATE	DESCRIPTION
A	03/27/05	UPDATE DRAWING FORMAT



DESCRIPTION	MATERIAL	FINISH	QTY	UNLESS OTHERWISE SPECIFIED DIMENSIONS ARE IN MILLIMETERS DIMENSIONS IN [ ] ARE IN INCHES AND FOR CUSTOMER REFERENCE ONLY.	APPROVALS	DATE	<b>Amphenol Connex</b>					
8				UNLESS OTHERWISE SPECIFIED TOLERANCES FOR MILLIMETERS ARE: 0.5 - 8mm ± 0.20mm 8 - 30mm ± 0.40mm 30 - 120mm ± 0.50mm  UNLESS OTHERWISE SPECIFIED TOLERANCES FOR INCHES ARE: .020 - .315 = ± 0.007" .315 - 1.180 = ± 0.015" 1.180 - 4.724 = ± 0.020"	DRAWN	G.R.S.	03/27/05	PART DESCRIPTION <b>SMB CRIMP PLUG (FOR AT&amp;T 735A CABLE)</b>				
7					CHECKED							
6						ISSUED			PART NO. <b>142215</b>			
5						SHEET	1 OF 1		DWG. NO. 142215.DWG			
4	FERRULE	BRASS	GOLD		1	ISO FILE	C:/142/142215.DWG	REV.	A	SIZE	A	SCALE
3	CONTACT PIN	BER. COPPER	GOLD	1	DO NOT SCALE DRAWING							
2	INSULATOR	TEFLON	NATURAL	1								
1	BODY	BRASS	GOLD	1								