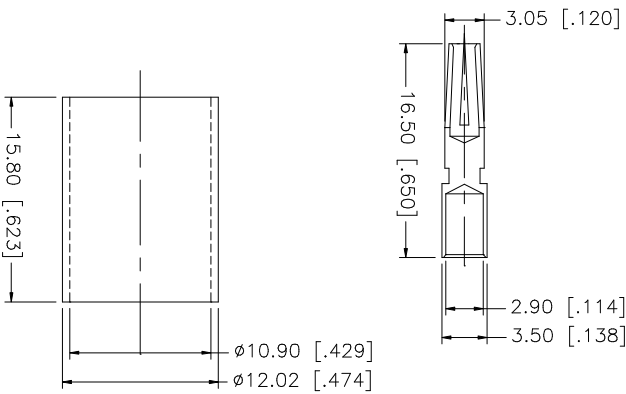
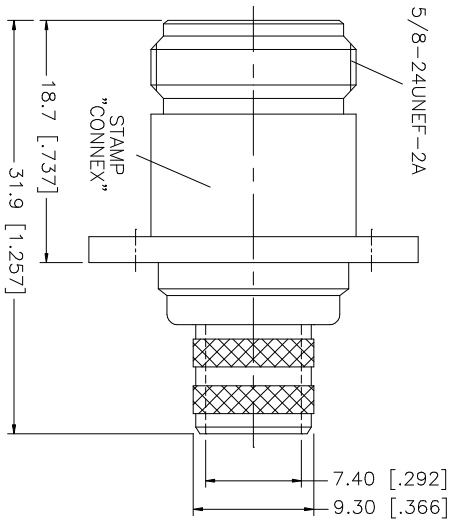
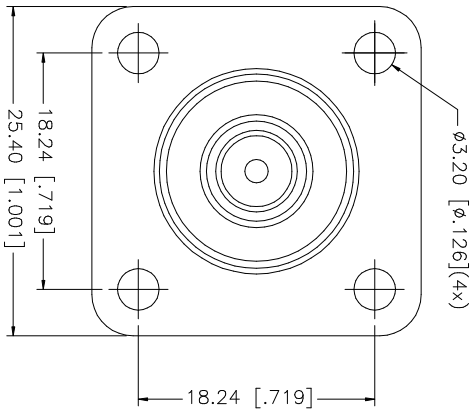
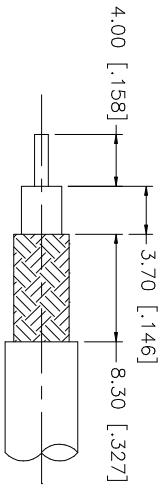


REV.	DATE	DESCRIPTION
A	03/30/04	INITIAL RELEASE



- NOTE:
1. CRIMPED FERRULE
HEX CRIMP SIZE .429"
 2. CRIMPED CONTACT PIN
HEX CRIMP SIZE .118"

Amphenol Connex

PART DESCRIPTION
N PANEL CRIMP JACK
(FOR BELDEN 8214, 9913, 9914, LMR400 CABLE)

UNLESS OTHERWISE SPECIFIED DIMENSIONS ARE IN INCHES AND FOR CUSTOMER REFERENCE ONLY.	UNLESS OTHERWISE SPECIFIED DIMENSIONS ARE IN MILLIMETERS AND FOR CUSTOMER REFERENCE ONLY.	UNLESS OTHERWISE SPECIFIED DIMENSIONS ARE IN INCHES AND FOR CUSTOMER REFERENCE ONLY.	UNLESS OTHERWISE SPECIFIED DIMENSIONS ARE IN MILLIMETERS AND FOR CUSTOMER REFERENCE ONLY.	UNLESS OTHERWISE SPECIFIED DIMENSIONS ARE IN INCHES AND FOR CUSTOMER REFERENCE ONLY.	UNLESS OTHERWISE SPECIFIED DIMENSIONS ARE IN MILLIMETERS AND FOR CUSTOMER REFERENCE ONLY.
8					
7					
6					
5					
4	FERRULE	COPPER	NEXCOTE	1	
3	CONTACT PIN	PHOS. BRONZE	GOLD	1	
2	INSULATOR	TEFLON	NATURAL	1	
1	BODY	BRASS	NEXCOTE	1	
	DESCRIPTION	MATERIAL	FINISH	QTY	
DO NOT SCALE DRAWING		CAD FILE		C:/172/172314.DWG	
APPROVALS		DATE		03/30/04	
DRAWN G.R.S.		CHECKED		ISSUED	
SHEET 1 OF 1		PART NO.		172314	
DWG. NO.		REV.		SIZE	
172314.DWG		A		A	
				SCALE NA	