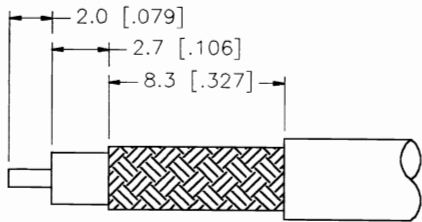
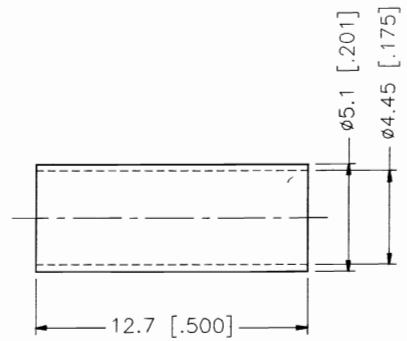
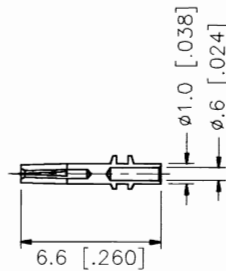
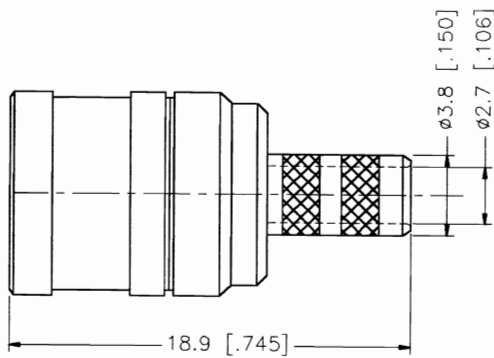



REV.	DATE	DESCRIPTION
NC	11/12/97	INITIAL RELEASE



RECOMMENDED  
CABLE STRIPPING DIM'S



DESCRIPTION	MATERIAL	FINISH	UNLESS OTHERWISE SPECIFIED DIMENSIONS ARE IN MILLIMETERS	APPROVALS	DATE							
1 BODY	BRASS	GOLD	DIMENSIONS IN [ ] ARE IN INCHES FOR CUSTOMER REFERENCE ONLY	DRAWN	G.R.S.					11/12/97	TITLE	
2 INSULATOR	TEFLON	NATURAL		UNLESS OTHERWISE SPECIFIED TOLERANCES FOR MILLIMETERS ARE: 0.5-6 = ± 0.2 6-30 = ± 0.4 30-120 = ± 0.6 120-315 = ± 1 315-1000 = ± 1.6 1000-2000 = ± 2.4	CHECKED			SMB CRIMP PLUG				
3 CONTACT PIN	BER. COPPER	GOLD	DO NOT SCALE DRAWING		ISSUED			SIZE	FSCM NO.	DWG. NO.	REV.	
4 FERRULE	BRASS	GOLD		A	99001	142208.DWG	NC	SCALE	NA	PART NO.	142208	SHEET