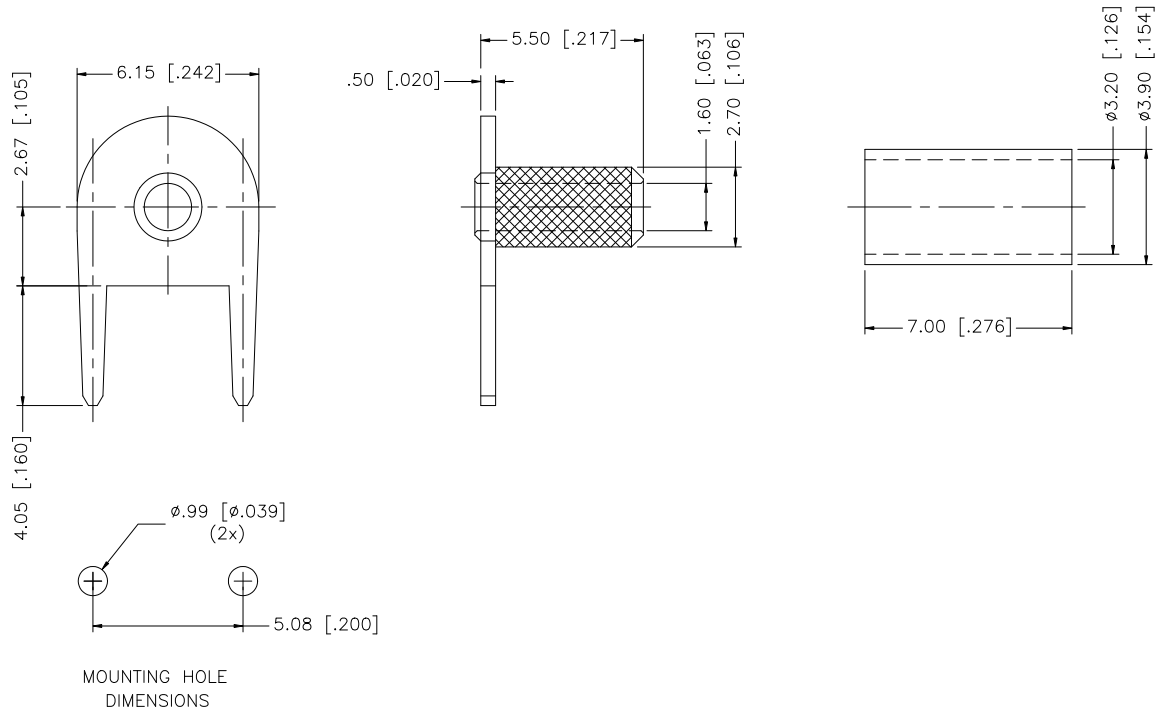


REV.	DATE	ECR NO.	DESCRIPTION
NC	05/02/00	-	INITIAL RELEASE
A	04/30/08	100014	UPDATE DRAWING FORMAT



8																			
7																			
6																			
5																			
4																			
3	FLANGE	BRASS	NICKEL	1	<small>UNLESS OTHERWISE SPECIFIED DIMENSIONS ARE IN MILLIMETERS; DIMENSIONS IN [] ARE IN INCHES AND FOR CUSTOMER REFERENCE ONLY.</small> <small>UNLESS OTHERWISE SPECIFIED TOLERANCES FOR MILLIMETERS ARE:</small> 0.5 - 8mm ± 0.20mm 8 - 30mm ± 0.40mm 30 - 120mm ± 0.50mm <small>UNLESS OTHERWISE SPECIFIED TOLERANCES FOR INCHES ARE:</small> .020 - .315 = ± 0.007" .315 - 1.180 = ± 0.015" 1.180 - 4.724 = ± 0.020"	APPROVALS	DATE	<h1 style="color: blue; margin: 0;">Amphenol Connex</h1>											
2	BARREL	BRASS	NICKEL	1		DRAWN	GRS		04/30/08	PART DESCRIPTION									
1	PLATE	BRASS	BRT. TIN	1		CHECKED				PCB COAXIAL TERMINATION (FOR RG-174, 188, 316/U CABLE)									
	DESCRIPTION	MATERIAL	FINISH	QTY		ISSUED				PART NO.									
					DO NOT SCALE DRAWING			142293											
								DWG. NO.											
								142293.DWG											
								REV.											
								A											
								SIZE											
								A											
								SCALE											
								NA											