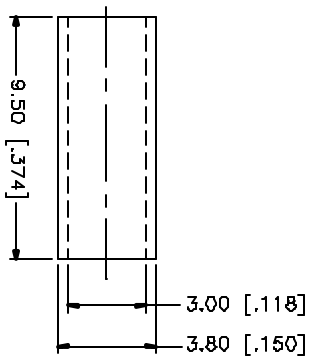
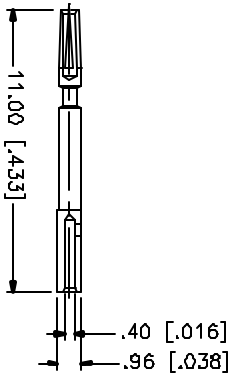
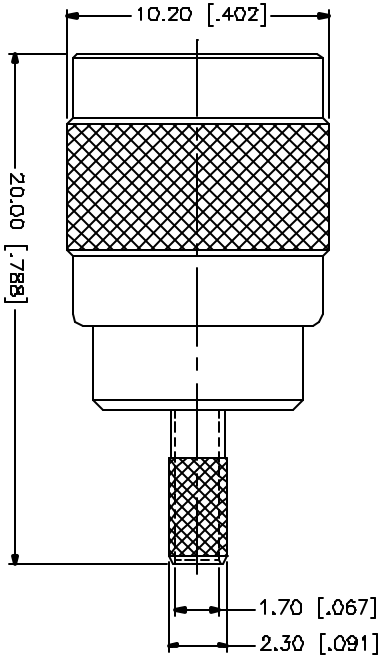
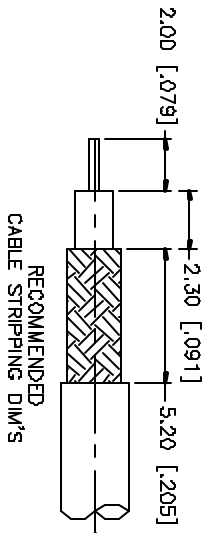


REV.	DATE	DESCRIPTION
A	05/01/04	UPDATE DRAWING FORMAT



- NOTE:
1. CRIMPED FERRULE
HEX CRIMP SIZE .128"
 2. CONTACT PIN TO SOLDER

REV.	DATE	DESCRIPTION
8		
7		
6		
5		
4		
3		
2		
1		

DESCRIPTION	MATERIAL	FINISH	QTY
FERRULE	COPPER	NICKEL	1
CONTACT PIN	BERL COPPER	GOLD	1
INSULATOR	TEFLON	NATURAL	1
BODY	BRASS	GOLD	1

UNLESS OTHERWISE SPECIFIED DIMENSIONS ARE IN MILLIMETERS. DIMENSIONS IN [] ARE IN INCHES AND FOR CONVERSION PURPOSES ONLY.
UNLESS OTHERWISE SPECIFIED DIMENSIONS FOR MANUFACTURE ARE:
0.5 - .8mm ± 0.020mm
8 - 30mm ± 0.40mm
30 - 120mm ± 0.50mm
UNLESS OTHERWISE SPECIFIED DIMENSIONS FOR FINISH ARE:
.020 - .315 = ± 0.00075"
.315 - 1.180 = ± 0.015"
1.180 - 4.724 = ± 0.025"
DO NOT SCALE DRAWING

APPROVALS	DATE
DRAWN G.R.S.	05/01/04
CHECKED	
REVISED	
SHEET 1 OF 1	

PART DESCRIPTION	PART NO.
SMZ POSITION LOCK CRIMP PLUG (FOR RG-179/U, 187A/U)	1422284

CAU FILE	DWG. NO.	REV.	SIZE	SCALE
C:/142/1422284.DWG	1422284.DWG	A	A	NA

Amphenol Connex

SMZ POSITION LOCK CRIMP PLUG
(FOR RG-179/U, 187A/U)

1422284