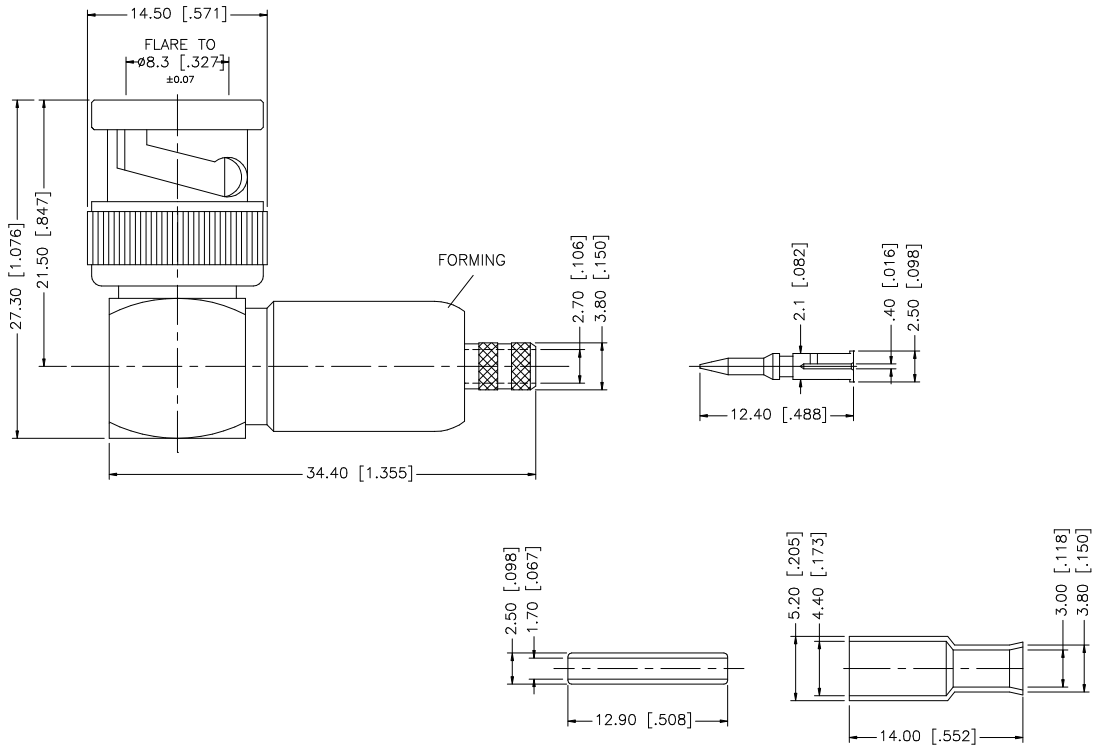


REV.	DATE	DESCRIPTION
NC	05/31/07	INITIAL RELEASE



QTY	DESCRIPTION	MATERIAL	FINISH	QTY	UNLESS OTHERWISE SPECIFIED DIMENSIONS ARE IN MILLIMETERS. DIMENSIONS IN [ ] ARE IN INCHES AND FOR CUSTOMER REFERENCE ONLY.	APPROVALS	DATE	Amphenol Connex							
8								<b>BNC R/A CRIMP PLUG (FOR 179/U CABLE)</b>							
7	FERRULE	BRASS	NICKEL	1		DRAWN	G.R.S.				05/31/07				
6	SLEEVE	DELTRIN	NATURAL	1		CHECKED									
5	CONTACT PIN	BRASS	GOLD	1	UNLESS OTHERWISE SPECIFIED TOLERANCES FOR MILLIMETERS ARE: 0.5 - 8mm ± 0.20mm 8 - 30mm ± 0.40mm 30 - 120mm ± 0.50mm	ISSUED									
4	CONTACT PIN	BRASS	GOLD	1	UNLESS OTHERWISE SPECIFIED TOLERANCES FOR INCHES ARE: .020 - .315 = ± 0.007" .315 - 1.180 = ± 0.015" 1.180 - 4.724 = ± 0.020"	SHEET	1 OF 1								
3	CONTACT PIN	PHOS. BRONZE	GOLD	1		CAD FILE	C:/112/112199.DWG	DWG. NO.	112199.DWG	REV.	NC	SIZE	A	SCALE	NA
2	INSULATOR	DELTRIN	NATURAL	1				PART NO.	112199						
1	BODY	BRASS	NICKEL	1											
	DESCRIPTION	MATERIAL	FINISH	QTY	DO NOT SCALE DRAWING										