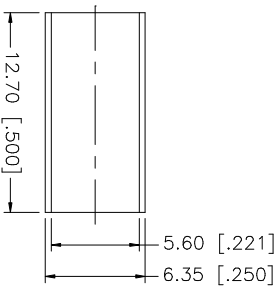
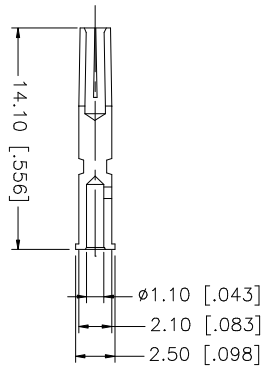
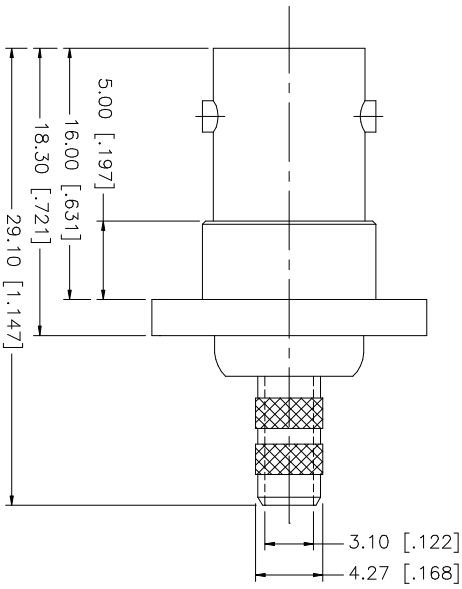
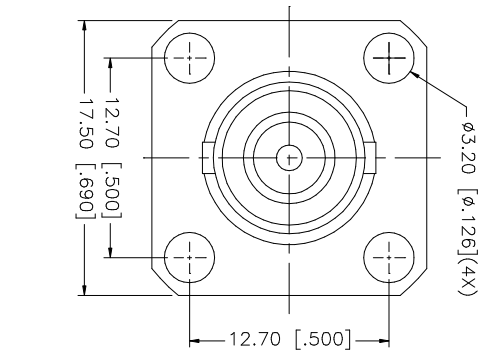
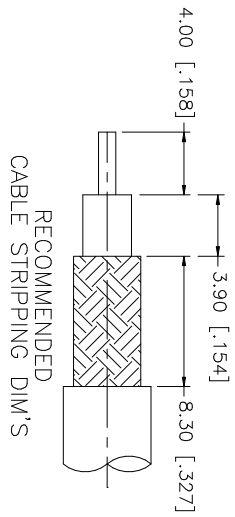


REV.	DATE	DESCRIPTION
A	07/13/05	UPDATE DRAWING FORMAT



- NOTE:
1. CRIMPED FERRULE HEX CRIMP SIZE .213"
  2. CRIMPED CONTACT PIN HEX CRIMP SIZE .068"

NO.	DESCRIPTION	MATERIAL	FINISH	QTY	UNLESS OTHERWISE SPECIFIED, DIMENSIONS ARE IN MILLIMETERS DIMENSIONS IN [ ] ARE IN INCHES AND FOR CUSTOMER REFERENCE ONLY. TOLERANCES FOR MILLIMETERS ARE:	UNLESS OTHERWISE SPECIFIED, DIMENSIONS ARE IN INCHES DIMENSIONS IN [ ] ARE IN MILLIMETERS AND FOR CUSTOMER REFERENCE ONLY. TOLERANCES FOR INCHES ARE:	APPROVALS	DATE	PART DESCRIPTION					
8									<p><b>Amphenol Connex</b></p> <p>BNC PANEL CRIMP JACK (FOR RG-55/U, 142A/U, 223/U, 400/U)</p> <p>PART NO. 112527</p>					
7							DRAWN	G.R.S.		07/13/05				
6							CHECKED							
5							ISSUED							
4	FERRULE	COPPER	NICKEL	1	0.5 - 8mm ± 0.20mm	.020 - .315 = ± 0.007"								
3	CONTACT PIN	PHOS. BRONZE	GOLD	1	8 - 30mm ± 0.40mm	.315 - 1.180 = ± 0.015"								
2	INSULATOR	DELRIN	NATURAL	1	30 - 120mm ± 0.50mm	1.180 - 4.724 = ± 0.020"								
1	BODY	BRASS	NICKEL	1										
DESCRIPTION					MATERIAL	FINISH	QTY	DO NOT SCALE DRAWING		CAD FILE	DWG. NO.	REV.	SIZE	SCALE
								C:/112/112572.DWG			112527.DWG	A	A	NA