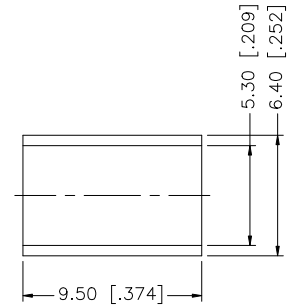
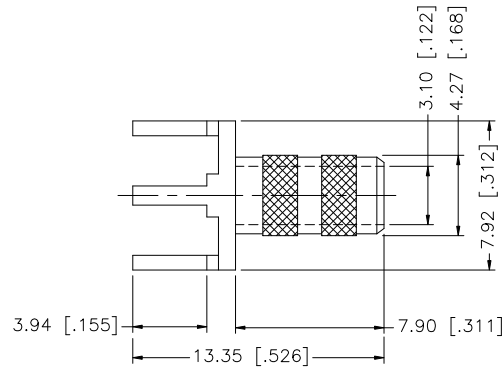
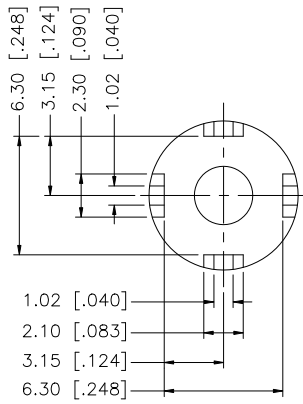
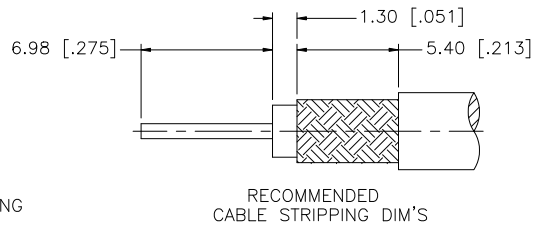
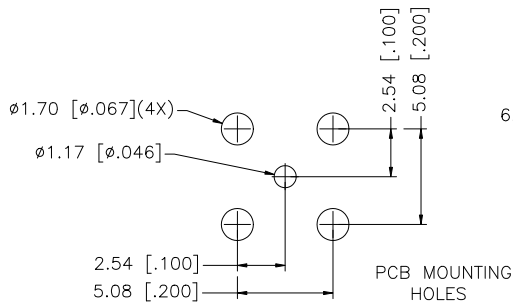


REV.	DATE	DESCRIPTION
NC	08/20/97	INITIAL RELEASE
A	12/10/07	UPDATE DRAWING FORMAT



8					UNLESS OTHERWISE SPECIFIED DIMENSIONS ARE IN MILLIMETERS; DIMENSIONS IN [ ] ARE IN INCHES AND FOR CUSTOMER REFERENCE ONLY.	APPROVALS	DATE	<b>Amphenol Connex</b>
7						DRAWN G.R.S.	12/10/07	
6					UNLESS OTHERWISE SPECIFIED TOLERANCES FOR MILLIMETERS ARE: 0.5 - 8mm ± 0.20mm 8 - 30mm ± 0.40mm 30 - 120mm ± 0.50mm	CHECKED		PART DESCRIPTION
5					UNLESS OTHERWISE SPECIFIED TOLERANCES FOR INCHES ARE: .020 - .315 = ± 0.007" .315 - 1.180 = ± 0.015" 1.180 - 4.724 = ± 0.020"	ISSUED		SHIELDED CABLE PCB TERMINATION (FOR RG-58/U CABLE)
4						SHEET	1 OF 1	PART NO.
3								142197
2	FERRULE	COPPER	NICKEL	1		CAD FILE	C:/142/142197.DWG	DWG. NO. 142197.DWG
1	BODY	BRASS	NICKEL	1	DO NOT SCALE DRAWING			REV. A SIZE A SCALE NA