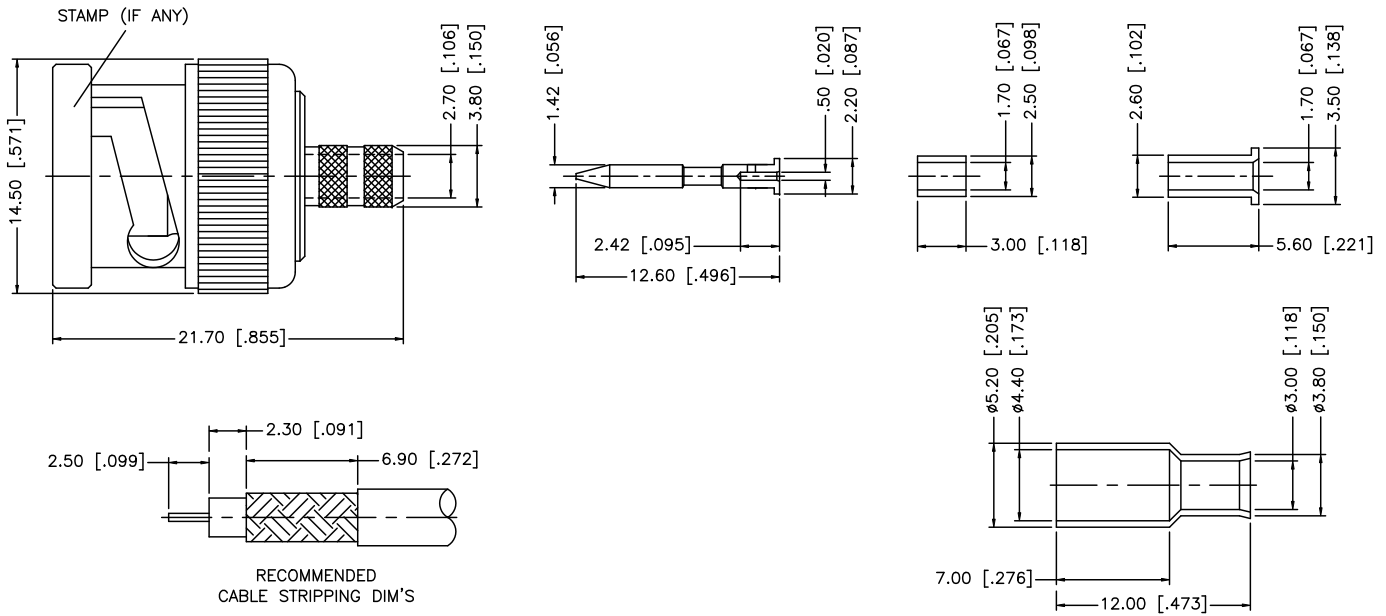


REV.	DATE	ECR NO.	DESCRIPTION
NC	02/08/00	-	INITIAL RELEASE
A	09/21/08	-	UPDATE DRAWING FORMAT



NOTES:

1. CRIMPED FERRULE HEX CRIMP SIZE .178" [4.52]

				UNLESS OTHERWISE SPECIFIED DIMENSIONS ARE IN MILLIMETERS. DIMENSIONS IN [] ARE IN INCHES AND FOR CUSTOMER REFERENCE ONLY.	APPROVALS	DATE	Amphenol Connex			
8					DRAWN	GRS				09/21/08
7					CHECKED			PART NO. 112140		
6	FERRULE	COPPER	NICKEL	1	ISSUED					
5	SPACER	BRASS	NICKEL	1	SHEET	1 OF 1		REV. A SIZE A SCALE NA		
4	SLEEVE	DELTRIN	NATURAL	1	CAD FILE C:/112/112140.DWG					
3	CONTACT PIN	BRASS	GOLD	1						
2	INSULATOR	PTFE	NATURAL	1						
1	BODY	BRASS	NICKEL	1						
DESCRIPTION MATERIAL FINISH QTY				DO NOT SCALE DRAWING						

UNLESS OTHERWISE SPECIFIED DIMENSIONS ARE IN MILLIMETERS. DIMENSIONS IN [] ARE IN INCHES AND FOR CUSTOMER REFERENCE ONLY.

UNLESS OTHERWISE SPECIFIED TOLERANCES FOR MILLIMETERS ARE:
0.5 - 8mm ± 0.20mm
8 - 30mm ± 0.40mm
30 - 120mm ± 0.50mm

UNLESS OTHERWISE SPECIFIED TOLERANCES FOR INCHES ARE:
.020 - .315 = ± 0.007"
.315 - 1.180 = ± 0.015"
1.180 - 4.724 = ± 0.020"