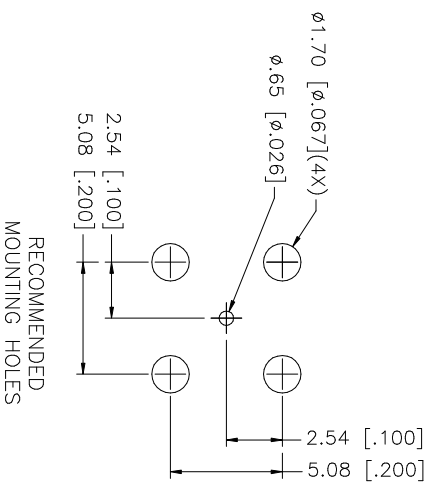
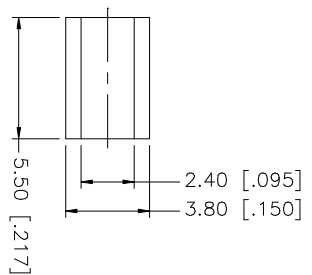
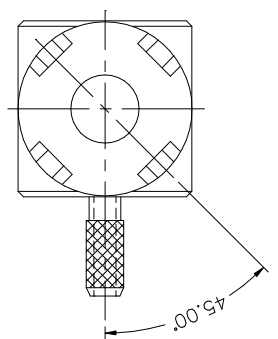
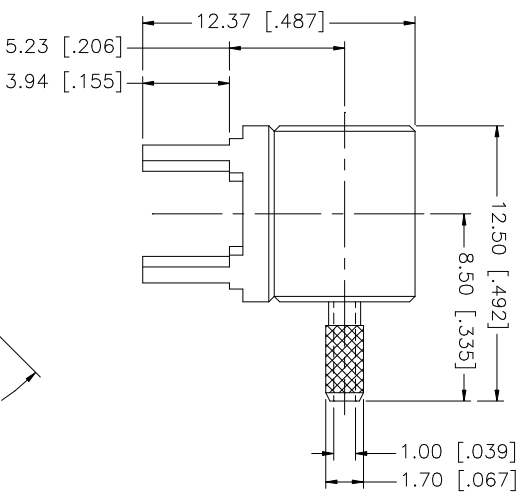
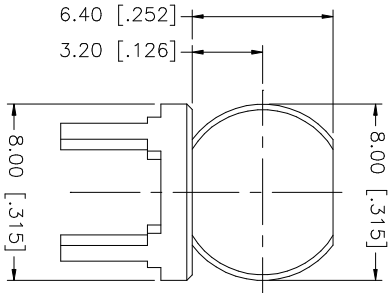
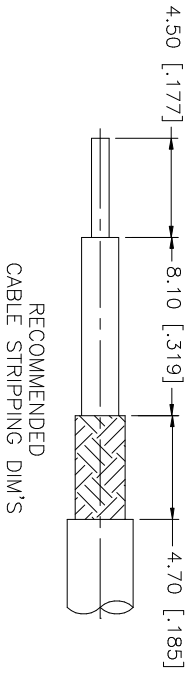


REV.	DATE	DESCRIPTION
NC	01/04/00	INITIAL RELEASE
A	04/06/06	UPDATE DRAWING FORMAT



NO.	DESCRIPTION	MATERIAL	FINISH	QTY	UNLESS OTHERWISE SPECIFIED DIMENSIONS ARE IN MILLIMETERS. DIMENSIONS IN [] ARE IN INCHES AND FOR COMPONENT REFERENCE ONLY. TOLERANCES FOR MILLIMETERS ARE: 0.5 - 8mm ± 0.20mm 8 - 30mm ± 0.40mm 30 - 120mm ± 0.50mm UNLESS OTHERWISE SPECIFIED TOLERANCES FOR INCHES ARE: .020 - .315 ± 0.007" .315 - 1.180 ± 0.015" 1.180 - 4.724 ± 0.020"	APPROVALS	DATE	PART DESCRIPTION	PART NO.	DWG. NO.	REV.	SIZE	SCALE
8								Amphenol Connex R/A PCB CABLE TERMINATION (FOR RG-178B/U, 196A/U CABLE)	142270	142270.DWG	A	A	NA
7													
6													
5													
4													
3	FERRULE	COPPER	GOLD	1									
2	BODY	BRASS	GOLD	1									
1	BARREL	BRASS	GOLD	1									
	DESCRIPTION	MATERIAL	FINISH	QTY	DO NOT SCALE DRAWING	CAD FILE	C:/142/142270.DWG						