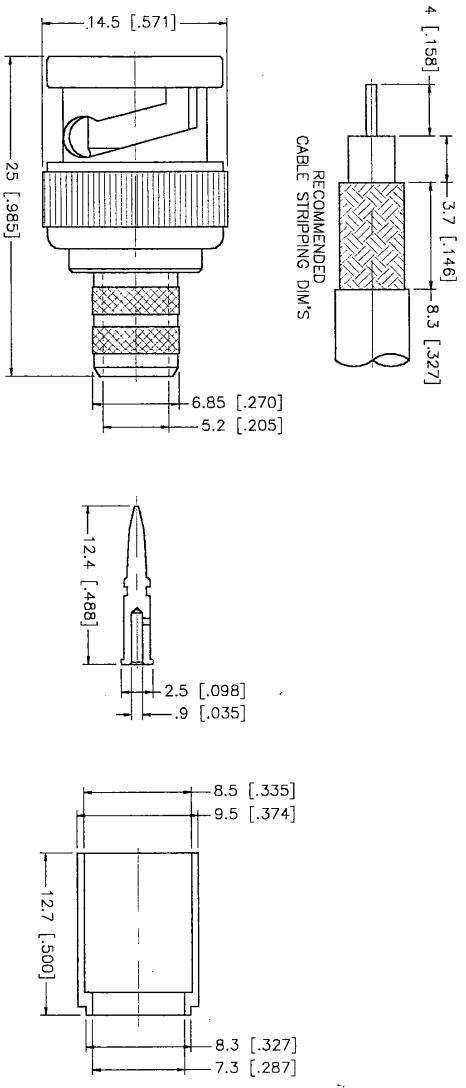


REV.	DATE	DESCRIPTION
NC	04/27/99	INITIAL RELEASE



DESCRIPTION	MATERIAL	FINISH	UNLESS OTHERWISE SPECIFIED DIMENSIONS ARE IN MILLIMETERS () ARE IN INCHES FOR CUSTOMER REFERENCE ONLY	APPROVALS	DATE	TITLE	SCALE	PART NO.	DWG. NO.	SHEET	REV.
1 BODY	BRASS	NICKEL		DRAWN	G. R. S.	04/27/99	comnex Connector Corporation BNC CRIMP PLUG (FOR BELDEN 88281 PLENUM)	SIZE	ISSN NO.	112625.DWG	NC
2 INSULATOR	DELRIIN	NATURAL		CHECKED		A		99001			
3 CONTACT PIN	BRASS	GOLD		ISSUED		NA		112625			
4 FERRULE	COPPER	NICKEL						1 OF 1			
7			UNLESS OTHERWISE SPECIFIED DIMENSIONS ARE IN MILLIMETERS () ARE IN INCHES FOR CUSTOMER REFERENCE ONLY								
8			DO NOT SCALE DRAWING								

UNLESS OTHERWISE SPECIFIED DIMENSIONS ARE IN MILLIMETERS () ARE IN INCHES FOR CUSTOMER REFERENCE ONLY

UNLESS OTHERWISE SPECIFIED DIMENSIONS ARE IN MILLIMETERS () ARE IN INCHES FOR CUSTOMER REFERENCE ONLY

30-120 = ± 0.2
6-30 = ± 0.4
120-315 = ± 0.6
315-1000 = ± 1.6
1000-2000 = ± 2.4