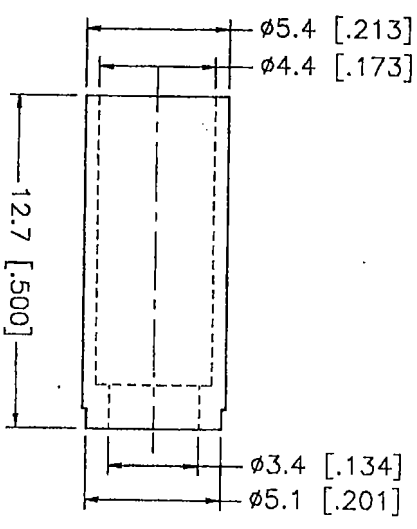
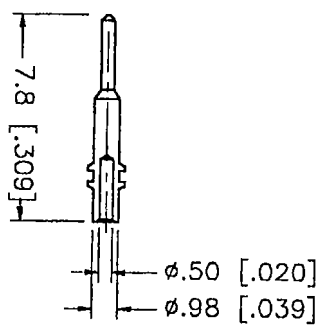
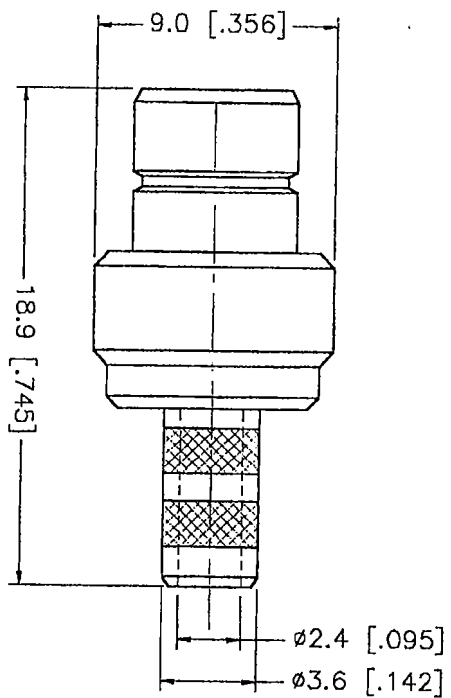
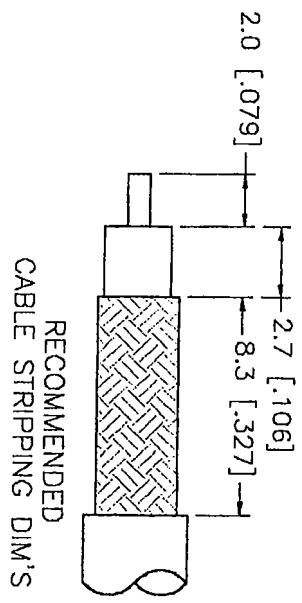


REV.	DATE	DESCRIPTION
NC	05/14/98	INITIAL RELEASE



DESCRIPTION	MATERIAL	FINISH	UNLESS OTHERWISE SPECIFIED DIMENSIONS ARE IN MILLIMETERS (FOR CUSTOMER REFERENCE ONLY)	APPROVALS	DATE	TITLE
1 BODY	BRASS	GOLD	UNLESS OTHERWISE SPECIFIED DIMENSIONS ARE IN MILLIMETERS (FOR CUSTOMER REFERENCE ONLY) UNLESS OTHERWISE SPECIFIED DIMENSIONS FOR MILLIMETERS ARE: 0.5-6 = ± 0.2 6-30 = ± 0.4 30-120 = ± 0.6 120-315 = ± 1 315-1000 = ± 1.6 1000-2000 = ± 2.4	DRAWN	05/14/98	Connex Connector Corporation SMB CRIMP JACK (FOR AT&T 735A CABLE - 75 ohm)
2 INSULATOR	TEFLON	NATURAL		CHECKED		
3 CONTACT PIN	BER. COPPER	GOLD		ISSUED		
4 FERRULE	BRASS	GOLD				
5						
6						
7						
8						

SCALE	NA	PART NO.	142216	SHEET	1 OF 1
SIZE	A	FRSCH NO.	99001	DWG. NO.	142216.DWG
REV.	NC				