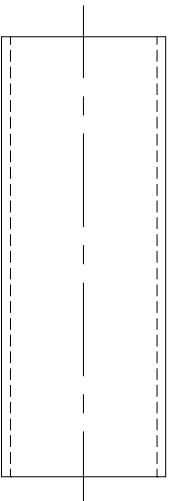
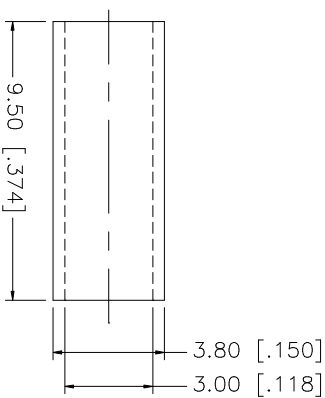
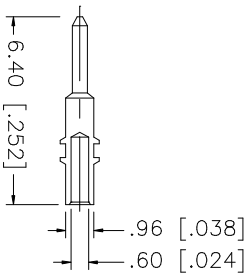
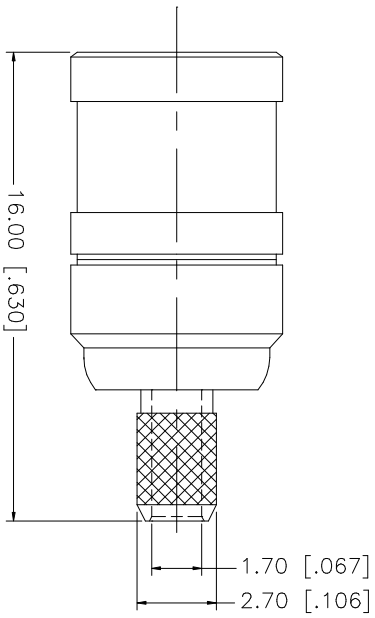
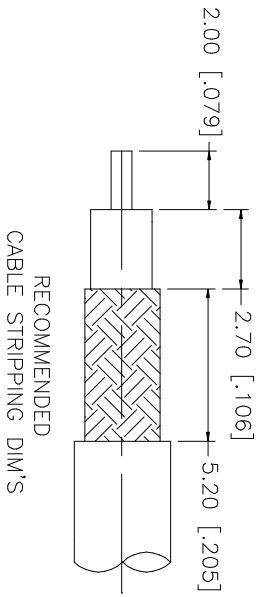


REV.	DATE	DESCRIPTION
A	05/14/03	UPDATE FERRULE LENGTH
B	03/18/04	UPDATE PART DESCRIPTION



- NOTE:
1. CRIMPED FERRULE
HEX CRIMP SIZE .128"
 2. CRIMPED CONTACT PIN
SQ. CRIMPED SIZE 0.7mm

8					UNLESS OTHERWISE SPECIFIED DIMENSIONS ARE IN INCHES AND FOR CUSTOMER REFERENCE ONLY.	APPROVALS	DATE	
7					UNLESS OTHERWISE SPECIFIED TOLERANCES FOR MILLIMETERS ARE:	G.R.S.	03/18/04	
6					0.5 - 8mm ± 0.20mm	CHECKED		
5	HEAT SHRINK				8 - 30mm ± 0.40mm	ISSUED		
4	FERRULE	COPPER	NICKEL	1	30 - 120mm ± 0.50mm	SHEET	1 OF 1	
3	CONTACT PIN	BRASS	GOLD	1	UNLESS OTHERWISE SPECIFIED TOLERANCES FOR INCHES ARE:	CAD FILE		
2	INSULATOR	TEFLON	NATURAL	1	.020 - .315 = ± 0.007"	DWG. NO.	142178RP.DWG	
1	HOUSING/BODY	BRASS	NICKEL	1	.315 - 1.180 = ± 0.015"	REV.	B	
					1.180 - 4.724 = ± 0.020"	SIZE	A	
	DESCRIPTION	MATERIAL	FINISH	QTY	DO NOT SCALE DRAWING	SCALE	NA	

Amphenol Connex

PART DESCRIPTION
SMB REVERSE POLARIZED PLUG
(FOR RG-174/U, 188A/U, 316/U CABLE)

PART NO. 142178RP