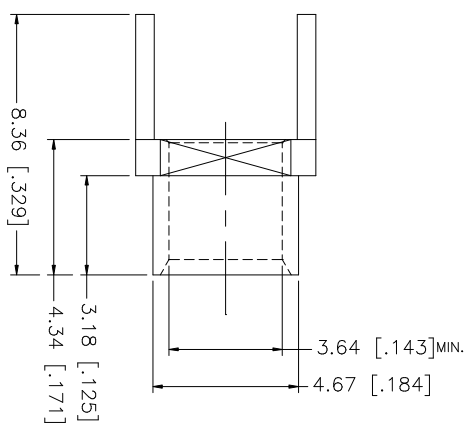
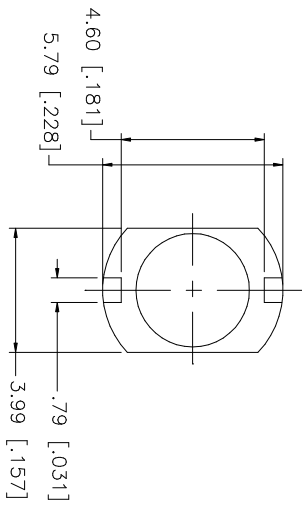
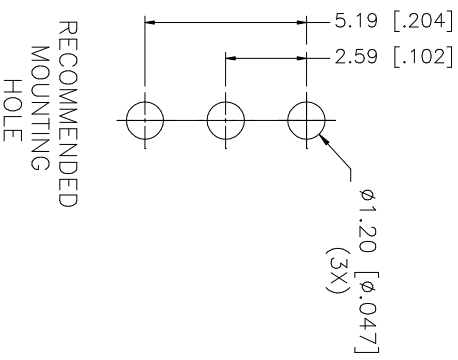
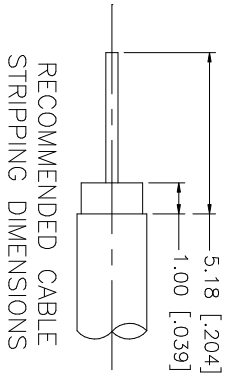


REV.	DATE	DESCRIPTION
NC	12/22/03	INITIAL RELEASE



DESCRIPTION	MATERIAL	FINISH	QTY	DO NOT SCALE DRAWING	CAD FILE	DWG. NO.	REV.	SIZE	SCALE
1	BRASS	GOLD	1	UNLESS OTHERWISE SPECIFIED DIMENSIONS ARE IN MILLIMETERS. DIMENSIONS IN [] ARE IN INCHES AND FOR CUSTOMER REFERENCE ONLY. TOLERANCES FOR MILLIMETERS ARE: 0.5 - 8mm ± 0.20mm 8 - 30mm ± 0.40mm 30 - 120mm ± 0.50mm UNLESS OTHERWISE SPECIFIED TOLERANCES FOR INCHES ARE: .020 - .315 = ± 0.007" .315 - 1.180 = ± 0.015" 1.180 - 4.724 = ± 0.020"	C:/142/142326.DWG	142326.DWG	A	A	NA
2									
3									
4									
5									
6									
7									
8									

Amphenol Connex

PART DESCRIPTION
PCB MOUNT CABLE TERMINATION
(FOR .141" SEMI RIGID CABLE)

PART NO. 142326