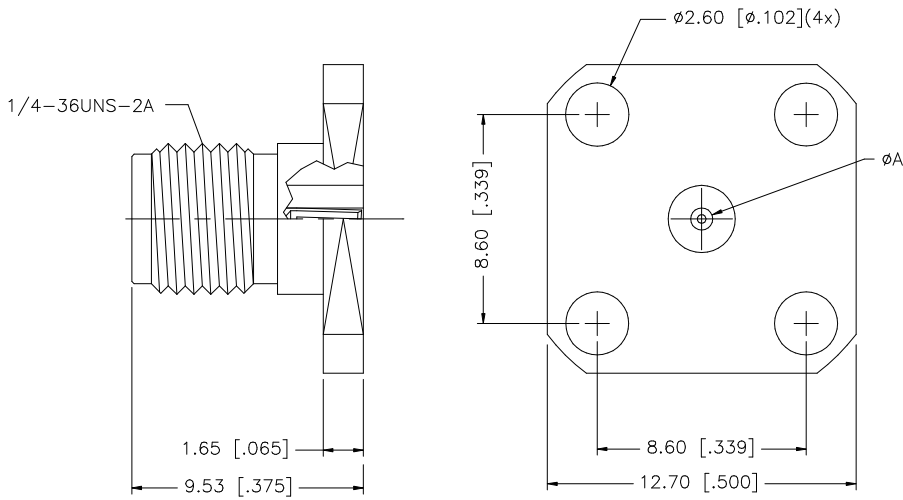


REV.	DATE	DESCRIPTION
NC	12/22/05	INITIAL RELEASE
A	02/11/07	ADD PART NUMBER / CENTER DIA. TABLE



ITEM NO.	DRAWING NO.	A
1.	132162	.30 [.012"]
2.	132162-10	.38 [.015"]
3.	132162-11	.46 [.018"]
4.	132162-12	.91 [.036"]

				APPROVALS	DATE	Amphenol Connex								
8				DRAWN	G.R.S.					02/11/07	PART DESCRIPTION SMA PANEL RECEPTACLE JACK			
7				CHECKED			PART NO. 132162							
6				ISSUED										
5				SHEET	1 OF 1		REV. A	SIZE A	SCALE NA					
4				CAD FILE C:/132/132162.DWG										
3	CONTACT PIN	BER. COPPER	GOLD	1	UNLESS OTHERWISE SPECIFIED DIMENSIONS ARE IN MILLIMETERS. DIMENSIONS IN [] ARE IN INCHES AND FOR CUSTOMER REFERENCE ONLY. UNLESS OTHERWISE SPECIFIED TOLERANCES FOR MILLIMETERS ARE: 0.5 - 8mm ± 0.20mm 8 - 30mm ± 0.40mm 30 - 120mm ± 0.50mm UNLESS OTHERWISE SPECIFIED TOLERANCES FOR INCHES ARE: .020 - .315 = ± 0.007" .315 - 1.180 = ± 0.015" 1.180 - 4.724 = ± 0.020" DO NOT SCALE DRAWING									
2	INSULATOR BODY	TEFLON	NATURAL	1										
1		BRASS	GOLD	1										
	DESCRIPTION	MATERIAL	FINISH	QTY										