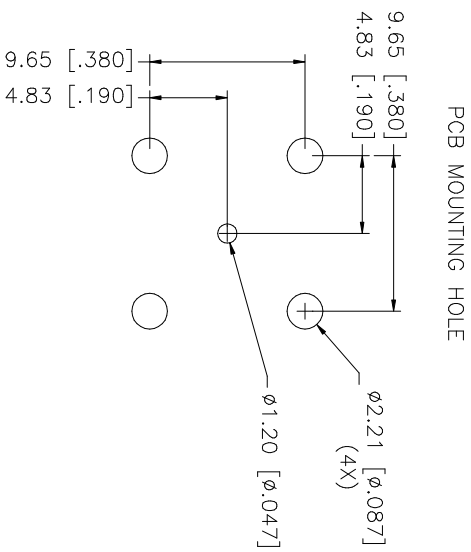
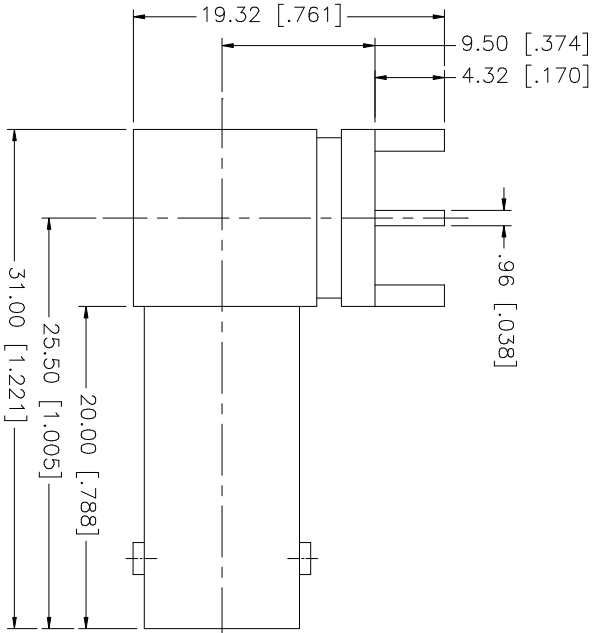
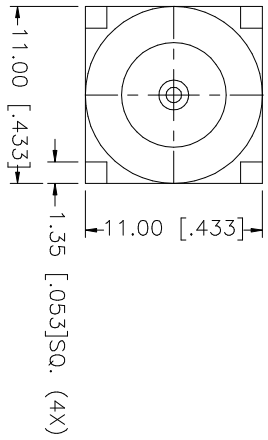


REV.	DATE	DESCRIPTION
NC	07/05/01	INITIAL RELEASE
A	12/19/05	UPDATE DRAWING FORMAT



NO.	DESCRIPTION	MATERIAL	FINISH	QTY	UNLESS OTHERWISE SPECIFIED DIMENSIONS ARE IN MILLIMETERS. DIMENSIONS IN [ ] ARE IN INCHES AND FOR CUSTOMER REFERENCE ONLY.	APPROVALS	DATE	PART DESCRIPTION	DWG. NO.	REV.	SIZE	SCALE
8					UNLESS OTHERWISE SPECIFIED DIMENSIONS ARE IN MILLIMETERS. DIMENSIONS IN [ ] ARE IN INCHES AND FOR CUSTOMER REFERENCE ONLY.			<b>Amphenol Connex</b>	112659.DWG	A	A	NA
7				UNLESS OTHERWISE SPECIFIED TOLERANCES FOR MILLIMETERS ARE:	DRAWN	12/19/05						
6				0.5 - 8mm ± 0.20mm	G.R.S.							
5				8 - 30mm ± 0.40mm	CHECKED							
4				30 - 120mm ± 0.50mm	ISSUED							
3	CONTACT PIN	PHOS. BRONZE	GOLD	1	UNLESS OTHERWISE SPECIFIED TOLERANCES FOR INCHES ARE:	SHEET		BNC R/A P.C. MOUNT RECEPTACLE	112659	A	A	NA
2	INSULATOR	TEFLON	NATURAL	1	.020 - .315 = ± 0.007"	1 OF 1						
1	BODY	BRASS	NICKEL	1	.315 - 1.180 = ± 0.015" 1.180 - 4.724 = ± 0.020"							
	DESCRIPTION	MATERIAL	FINISH	QTY	DO NOT SCALE DRAWING	CAD FILE						