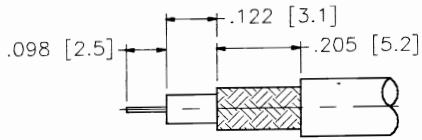
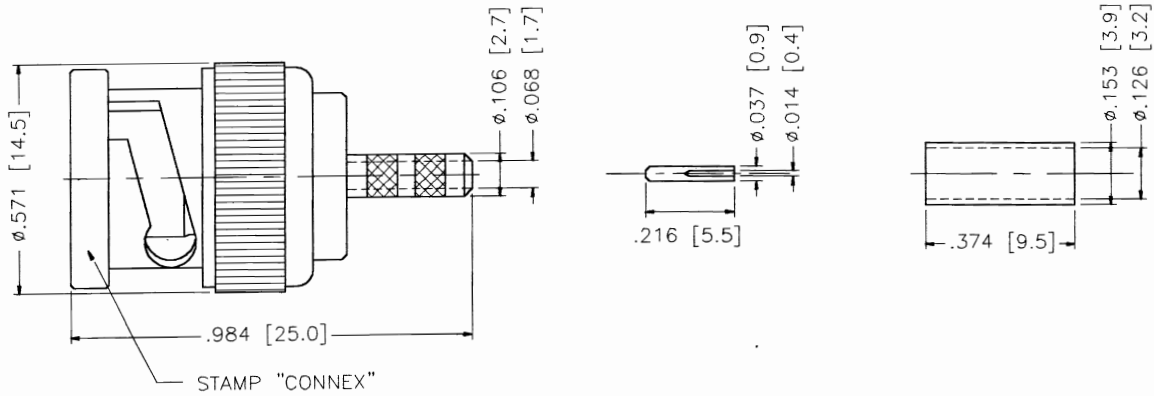



REV.	DATE	DESCRIPTION
NC	06/09/97	INITIAL RELEASE



RECOMMENDED
CABLE STRIPPING DIM'S



DESCRIPTION	MATERIAL	FINISH	DIMENSIONS ARE IN MILLIMETERS UNLESS OTHERWISE SPECIFIED TOLERANCES ARE:	APPROVALS	DATE	 Connex Connector Corporation TITLE BNC CRIMP PLUG RG 179/U, 187/U			
				DRAWN					
1	BODY	BRASS	NICKEL	G.R.S.	06/09/97	SIZE	FSCM NO.	DWG. NO.	REV.
2	INSULATOR	DELRIN	NATURAL	CHECKED		A	99001	112139.DWG	NC
3	CONTACT PIN	BRASS	GOLD	ISSUED		SCALE	PART NO.	SHEET	
4	FERRULE	BRASS	NICKEL			3:1	112139	1 OF 1	
5									
6									
7									
8			DO NOT SCALE DRAWING						