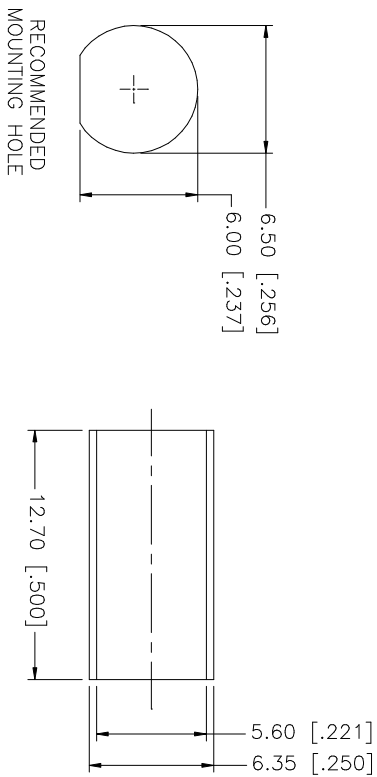
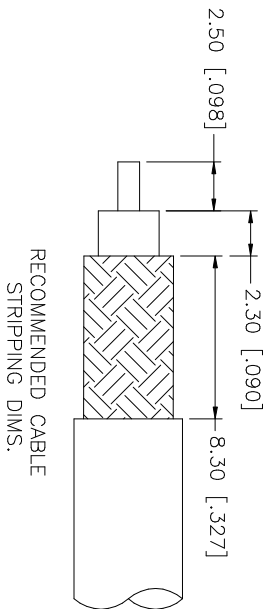
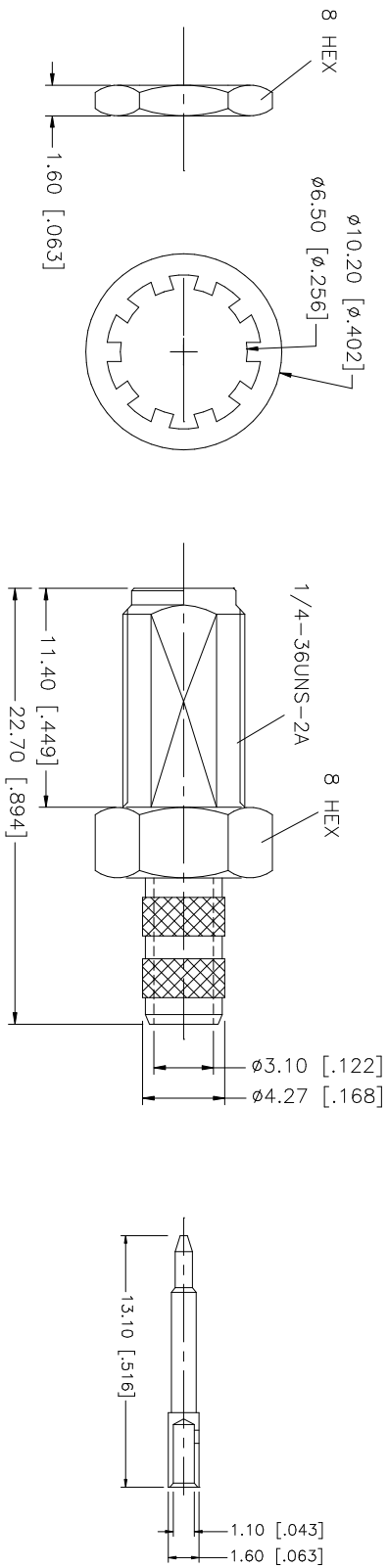


REV.	DATE	DESCRIPTION
NC	08/01/05	INITIAL RELEASE



QTY	FINISH	MATERIAL	DESCRIPTION
1	GOLD	BRASS	INSULATOR
1	NATURAL	TEFLON	INSULATOR
1	GOLD	BRASS	BODY
1	GOLD	BRASS	CONTACT PIN
1	GOLD	BRASS	LOCK WASHER
1	GOLD	BRASS	HEX NUT
1	GOLD	COPPER	FERRULE

APPROVALS	DATE
DAVIN G.R.S.	08/01/05

UNLESS OTHERWISE SPECIFIED DIMENSIONS ARE IN INCHES AND FOR CUSTOMER REFERENCE ONLY.
UNLESS OTHERWISE SPECIFIED TOLERANCES FOR MILLIMETERS ARE:
0.5 - 8mm ± 0.20mm
8 - 30mm ± 0.40mm
30 - 120mm ± 0.50mm
UNLESS OTHERWISE SPECIFIED TOLERANCES FOR INCHES ARE:
.020 - .315 = ± 0.007"
.315 - 1.180 = ± 0.015"
1.180 - 4.724 = ± 0.020"

DO NOT SCALE DRAWING
----------------------

CAD FILE	DWG. NO.	REV.	NC	SIZE	SCALE
C:/132/132191RP.DWG	132191RP.DWG	NC	NC	A	NA

PART DESCRIPTION	PART NO.
SMA REVERSE POLARITY BULKHEAD CRIMP JACK (FOR RG-55, 142, 223, 400/U CABLE)	132191RP

# Amphenol Connex