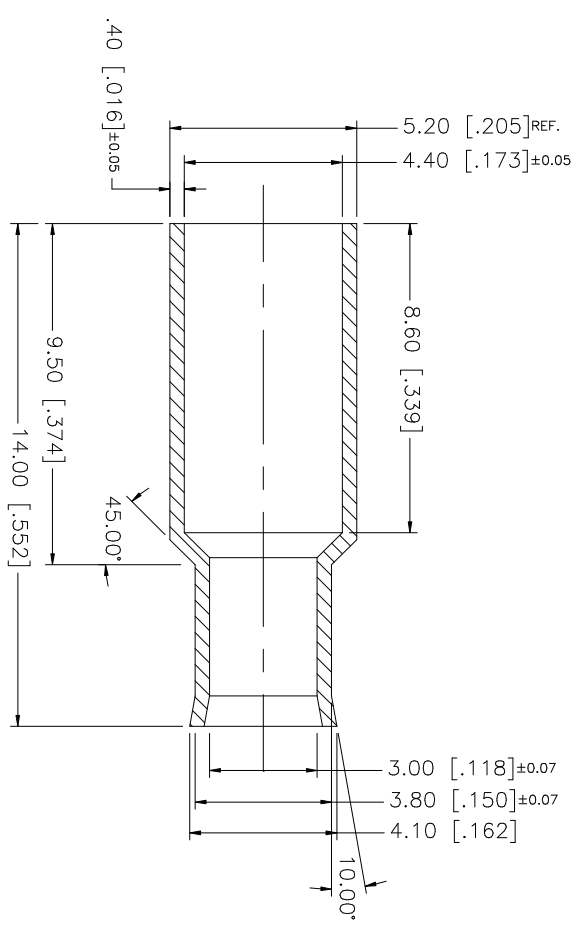


REV.	DATE	DESCRIPTION
A	06/05/03	UPDATE DRAWING FORMAT



REMARK:  
 ROCKWELL HARDNESS OF  
 55 MAX. ON 15-T SCALE  
 (HEAT TREAT FOR 45 MIN.  
 AT 1100°F BEFORE PLATING)

**Amphenol Connex**

QTY	FINISH	MATERIAL	DESCRIPTION
1	SILVER	BRASS	FERRULE

UNLESS OTHERWISE SPECIFIED DIMENSIONS ARE IN MILLIMETERS DIMENSIONS IN [ ] ARE IN INCHES AND FOR CUSTOMER REFERENCE ONLY.	UNLESS OTHERWISE SPECIFIED DIMENSIONS ARE IN MILLIMETERS DIMENSIONS IN [ ] ARE IN INCHES AND FOR CUSTOMER REFERENCE ONLY.
UNLESS OTHERWISE SPECIFIED TOLERANCES FOR MILLIMETERS ARE: 0.5 - 8mm ± 0.20mm 8 - 30mm ± 0.40mm 30 - 120mm ± 0.50mm	UNLESS OTHERWISE SPECIFIED TOLERANCES FOR INCHES ARE: .020 - .315 = ± 0.007" .315 - 1.180 = ± 0.015" 1.180 - 4.724 = ± 0.020"

APPROVALS	DATE
DRAWN G.R.S.	06/05/03
CHECKED	
ISSUED	
SHEET 1 OF 1	

CAD FILE	DO NOT SCALE DRAWING
C:/MISC/FERRULE-174.DWG	

DWG. NO.	REV.	SIZE	SCALE
FERRULE-174.DWG	A	A	NA