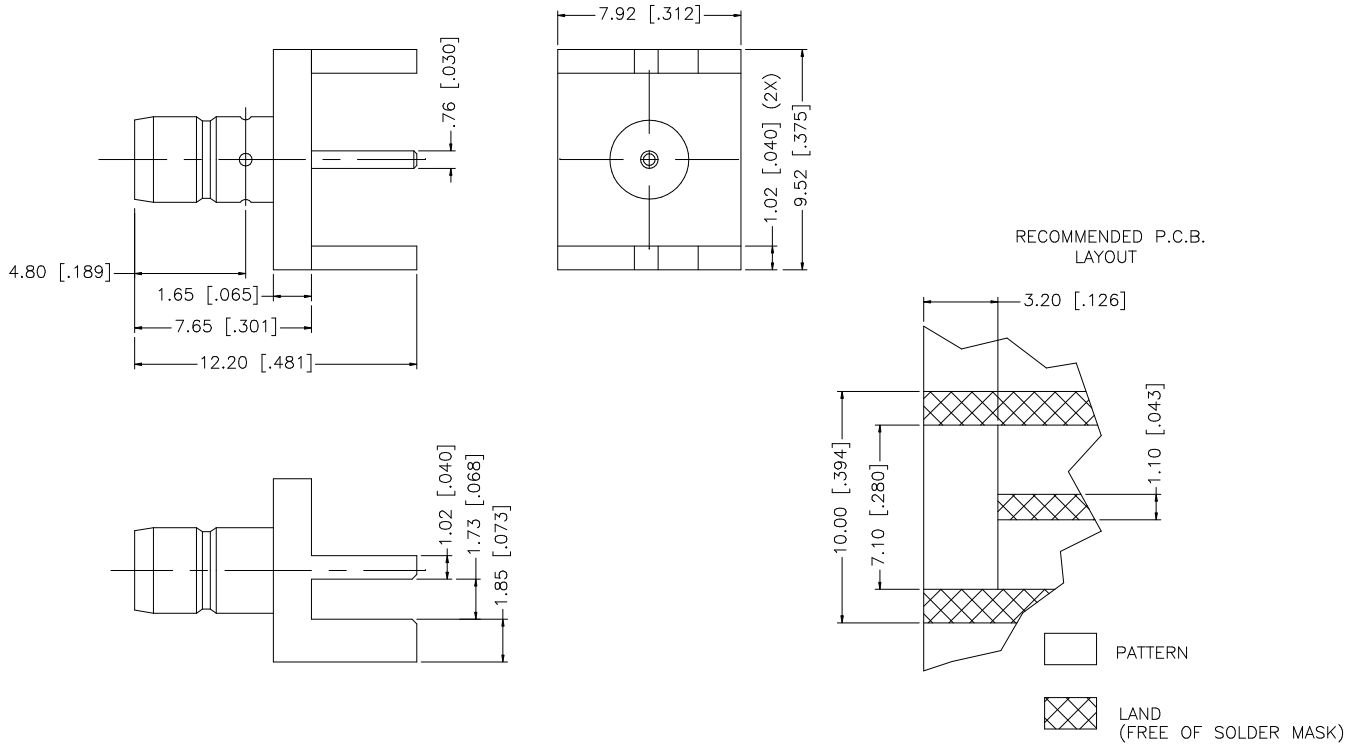


REV.	DATE	DESCRIPTION
NC	10/14/01	INITIAL RELEASE
A	06/30/05	UPDATE DRAWING FORMAT
B	09/18/05	ADD P.C.B. LAYOUT



REV.	DESCRIPTION	MATERIAL	FINISH	QTY	APPROVALS	DATE	Amphenol Connex			
8							<b>Amphenol Connex</b> PART DESCRIPTION <b>SMB END LAUNCH RECEPTACLE JACK</b> PART NO. <b>142311</b>			
7										
6										
5										
4										
3	CONTACT PIN	BER. COPPER	GOLD	1			DWG. NO. 142311.DWG REV. B SIZE A SCALE NA			
2	INSULATOR	TEFLON	NATURAL	1						
1	BODY	BRASS	GOLD	1						
UNLESS OTHERWISE SPECIFIED DIMENSIONS ARE IN MILLIMETERS DIMENSIONS IN [ ] ARE IN INCHES AND FOR CUSTOMER REFERENCE ONLY. TOLERANCES FOR MILLIMETERS ARE: 0.5 - 8mm ± 0.20mm 8 - 30mm ± 0.40mm 30 - 120mm ± 0.50mm UNLESS OTHERWISE SPECIFIED TOLERANCES FOR INCHES ARE: .020 - .315 = ± 0.007" .315 - 1.180 = ± 0.015" 1.180 - 4.724 = ± 0.020" DO NOT SCALE DRAWING					APPROVALS DRAWN G.R.S. 09/18/05 CHECKED ISSUED SHEET 1 OF 1 CAD FILE C:/142/142311.DWG					