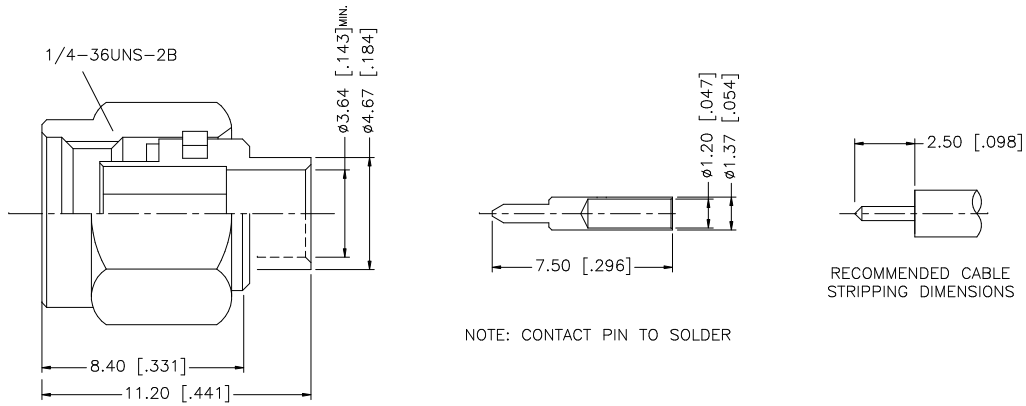


| REV. | DATE | DESCRIPTION |
|------|----------|-----------------------|
| A | 05/22/03 | UPDATE DRAWING FORMAT |



| REV. | DATE | DESCRIPTION |
|---|---------------|-----------------------|
| A | 05/22/03 | UPDATE DRAWING FORMAT |
| 8 | | |
| 7 | | |
| 6 | | |
| 5 | CONTACT PIN | BRASS GOLD 1 |
| 4 | INSULATOR | TEFLON NATURAL 1 |
| 3 | GASKET | SILICONE RED 1 |
| 2 | RETAINER RING | BER. COPPER NATURAL 1 |
| 1 | SHELL/BODY | BRASS GOLD 1 |
| | DESCRIPTION | MATERIAL FINISH QTY |
| <small>UNLESS OTHERWISE SPECIFIED DIMENSIONS ARE IN MILLIMETERS. DIMENSIONS IN [] ARE IN INCHES AND FOR CUSTOMER REFERENCE ONLY.</small> <small>UNLESS OTHERWISE SPECIFIED TOLERANCES FOR MILLIMETERS ARE:</small> 0.5 - 8mm ± 0.20mm 8 - 30mm ± 0.40mm 30 - 120mm ± 0.50mm <small>UNLESS OTHERWISE SPECIFIED TOLERANCES FOR INCHES ARE:</small> .020 - .315 = ± 0.007" .315 - 1.180 = ± 0.015" 1.180 - 4.724 = ± 0.020" DO NOT SCALE DRAWING | | |
| APPROVALS | | DATE |
| DRAWN G.R.S. | | 05/22/03 |
| CHECKED | | |
| ISSUED | | |
| SHEET 1 OF 1 | | |
| CAD FILE | | C:/132/132102-10.DWG |
| Amphenol Connex | | |
| PART DESCRIPTION | | |
| SMA .141" SEMI-RIGID PLUG (FOR MICRO COAX - UT 141A-AL-TP-LL) | | |
| PART NO. | | |
| 132102-10 | | |
| DWG. NO. | REV. | SIZE |
| 132102-10.DWG | NC | A |
| | | SCALE |
| | | NA |