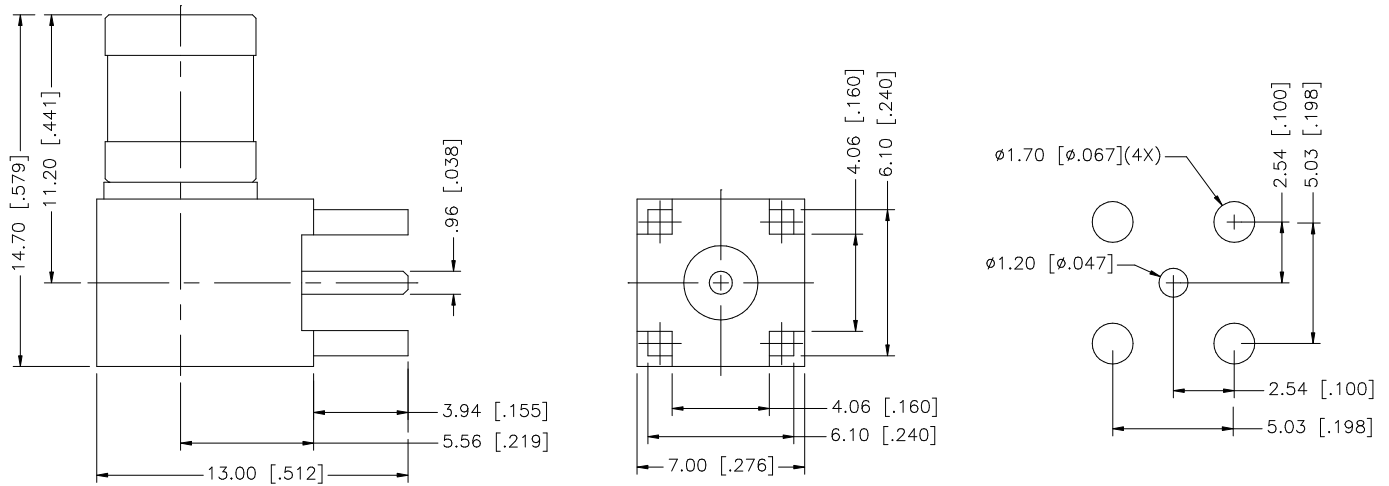


REV.	DATE	DESCRIPTION
NC	09/20/00	INITIAL RELEASE
A	05/24/07	UPDATE DRAWING FORMAT



DESCRIPTION	MATERIAL	FINISH	QTY	UNLESS OTHERWISE SPECIFIED DIMENSIONS ARE IN MILLIMETERS. DIMENSIONS IN [ ] ARE IN INCHES AND FOR CUSTOMER REFERENCE ONLY.	APPROVALS	DATE	Amphenol Connex			
8				UNLESS OTHERWISE SPECIFIED TOLERANCES FOR MILLIMETERS ARE: 0.5 - 8mm ± 0.20mm 8 - 30mm ± 0.40mm 30 - 120mm ± 0.50mm  UNLESS OTHERWISE SPECIFIED TOLERANCES FOR INCHES ARE: .020 - .315 = ± 0.007" .315 - 1.180 = ± 0.015" 1.180 - 4.724 = ± 0.020"	DRAWN	G.R.S.	05/20/07	<b>SMB R/A P.C.B. MOUNT PLUG</b> - <b>142142</b>		
7					CHECKED					
6					ISSUED					
5					SHEET	1 OF 1				
4					CAD FILE	C:/142/142142.DWG				
3	CONTACT PIN	BER. COPPER	GOLD	1	PART NO.			142142		
2	INSULATOR	TEFLON	NATURAL	1	DWG. NO.			142142.DWG		
1	BODY	BRASS	GOLD	1	REV.			A		
				DO NOT SCALE DRAWING				SCALE NA		