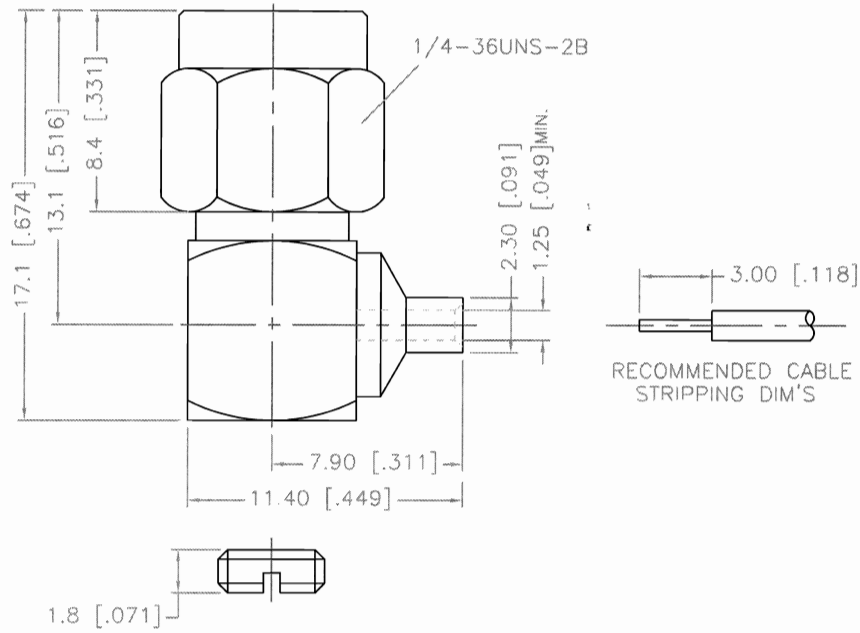



REV.	DATE	DESCRIPTION
NC	02/17/00	INITIAL RELEASE



DESCRIPTION	MATERIAL	FINISH	UNLESS OTHERWISE SPECIFIED DIMENSIONS ARE IN MILLIMETERS	APPROVALS	DATE						
1	BODY	BRASS	GOLD	DRAWN G.R.S.	02/17/00	TITLE SMA R/A DIRECT SOLDER PLUG (FOR .047" SEMI RIGID CABLE)					
2	INSULATOR	TEFLON	NATURAL								
3	CONTACT PIN	BEP COPPER	GOLD	CHECKED		SIZE	FSCM NO.	DWG. NO.	REV.		
4	COVER	BRASS	GOLD	ISSUED		A	99001	132250.DWG	NC		
5	GASKET	SILICONE	RED			SCALE	NA	PART NO.	132250	SHEET	1 OF 1
6											
7											
8			DO NOT SCALE DRAWING								

UNLESS OTHERWISE SPECIFIED DIMENSIONS IN [ ] ARE IN INCHES FOR CUSTOMER REFERENCE ONLY

UNLESS OTHERWISE SPECIFIED TOLERANCES FOR MILLIMETERS ARE:  
 0.5-6 = ± 0.2  
 6-30 = ± 0.4  
 30-120 = ± 0.6  
 120-315 = ± 1  
 315-1000 = ± 1.6  
 1000-2000 = ± 2.4