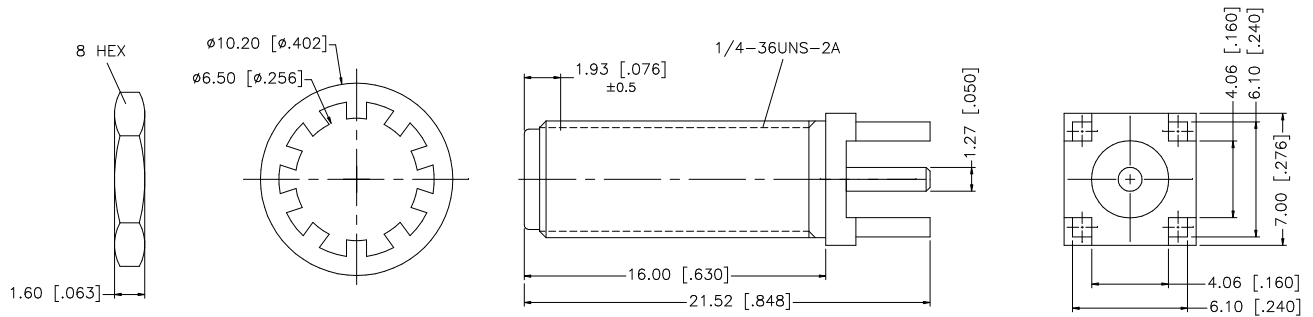
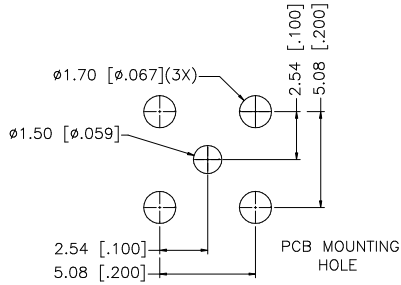


REV.	DATE	DESCRIPTION
A	01/30/04	UPDATE DRAWING FORMAT



NOTE:

1. MAX. PANEL THICKNESS = 7.5mm

DESCRIPTION	MATERIAL	FINISH	QTY	UNLESS OTHERWISE SPECIFIED DIMENSIONS ARE IN MILLIMETERS. DIMENSIONS IN [] ARE IN INCHES AND FOR CUSTOMER REFERENCE ONLY.	APPROVALS	DATE	Amphenol Connex					
8				UNLESS OTHERWISE SPECIFIED TOLERANCES FOR MILLIMETERS ARE: 0.5 - 8mm ± 0.20 mm 8 - 30mm ± 0.40 mm 30 - 120mm ± 0.50 mm UNLESS OTHERWISE SPECIFIED TOLERANCES FOR INCHES ARE: .020 - .315 = ± 0.007 " .315 - 1.180 = ± 0.015 " 1.180 - 4.724 = ± 0.020 "	DRAWN	G.R.S.	01/30/04	PART DESCRIPTION				
7					CHECKED						SMA BULKHEAD P.C. MOUNT JACK	
6					ISSUED			PART NO.				
5	HEX NUT	BRASS	GOLD		1	SHEET	1 OF 1				132291	
4	LOCK WASHER	BRASS	GOLD		1	CAD FILE	C:/132/132291.DWG	DWG. NO.	132291.DWG	REV. A		
3	CONTACT PIN	BER. COPPER	GOLD		1							
2	INSULATOR	TEFLON	NATURAL	1								
1	BODY	BRASS	GOLD	1								
				DO NOT SCALE DRAWING								