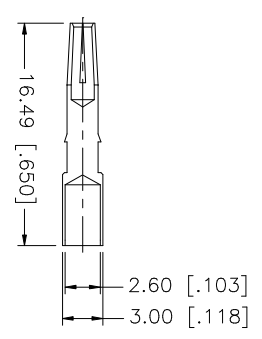
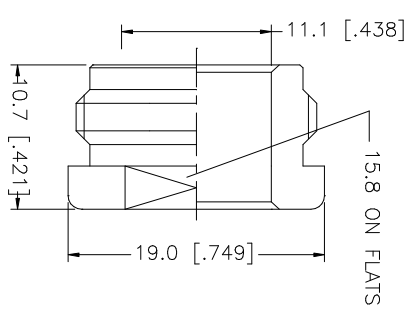
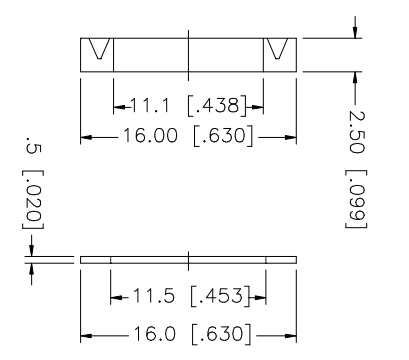
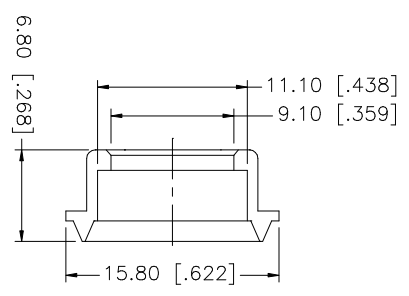
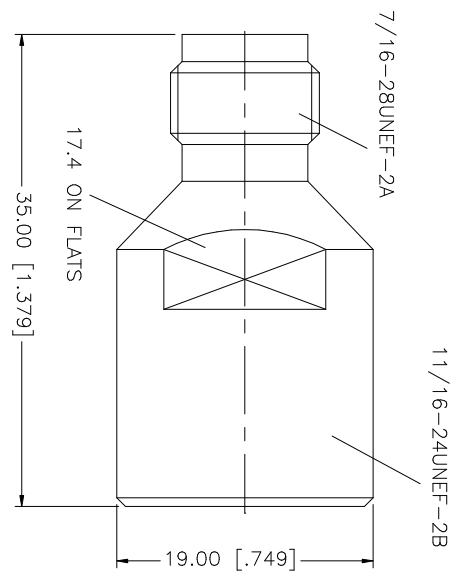
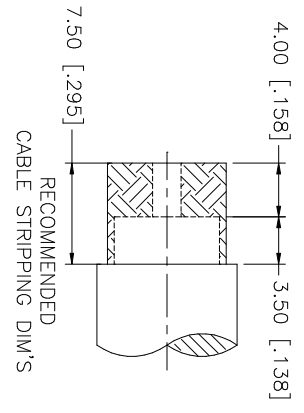


| REV. | DATE     | DESCRIPTION                           |
|------|----------|---------------------------------------|
| NC   | 10/28/99 | INITIAL RELEASE                       |
| A    | 10/18/05 | UPDATE DRAWING FORMAT AND DESCRIPTION |



| QTY | FINISH  | MATERIAL | DESCRIPTION |
|-----|---------|----------|-------------|
| 1   | NICKEL  | BRASS    | CONTACT PIN |
| 1   | NICKEL  | BRASS    | NUT         |
| 1   | NICKEL  | BRASS    | WASHER      |
| 1   | RED     | SILICONE | GASKET      |
| 1   | NICKEL  | BRASS    | BRAID CLAMP |
| 1   | NATURAL | TEFLON   | INSULATOR   |
| 1   | NICKEL  | BRASS    | BODY        |

| UNLESS OTHERWISE SPECIFIED, DIMENSIONS ARE IN MILLIMETERS. DIMENSIONS IN [ ] ARE IN INCHES AND FOR CUSTOMER REFERENCE ONLY. TOLERANCES FOR MILLIMETERS ARE: | UNLESS OTHERWISE SPECIFIED, DIMENSIONS ARE IN INCHES AND FOR CUSTOMER REFERENCE ONLY. TOLERANCES FOR INCHES ARE: |
|---|--|
| 0.5 - 8mm ± 0.20mm  | .020 - .315 = ± 0.007"   |
| 8 - 30mm ± 0.40mm   | .315 - 1.180 = ± 0.015"  |
| 30 - 120mm ± 0.50mm   | 1.180 - 4.724 = ± 0.020"   |

| APPROVALS    | DATE     | PART DESCRIPTION           |
|--------------|----------|----------------------------|
| DRAWN G.R.S. | 10/18/05 | TNC CLAMP JACK             |
| CHECKED      |          | (FOR RG-8/U, 213/U, 214/U) |
| ISSUED       |          |                            |
| SHEET 1 OF 1 |          |                            |

| CAD FILE          | DWG. NO.   | REV. | SIZE | SCALE |
|-------------------|------------|------|------|-------|
| C:/122/122446.DWG | 122446.DWG | A    | A    | NA    |

**Amphenol Connex**