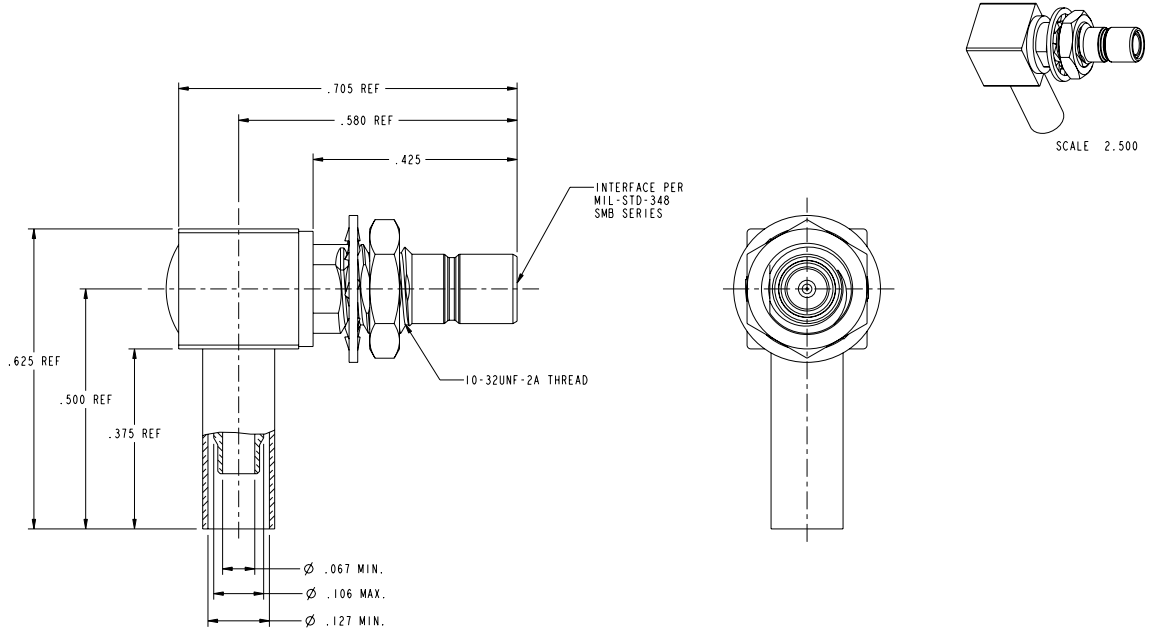


NOTES:

- MATERIALS OF CONSTRUCTION:
 BODY SUB-ASSY, CAP & NUT = BRASS, GOLD PLATED
 CONTACT = BeCu, GOLD PLATED
 FERRULE = COPPER, GOLD PLATED
 LOCKWASHER = PHOSPHOR BRONZE, GOLD PLATED
 INSULATOR = PTFE, ASTM-D-1457

903-422J-51A		REVISIONS			
REV	DESCRIPTION	DATE	ECO	APPR	
--	RELEASE TO MFG.				
D	SEE SHEET I	10/31/00	43528	CPM	
E	SEE SHEET I	10/7/08	47314	CPM	



CUSTOMER OUTLINE DRAWING
 ALL OTHER SHEETS ARE FOR INTERNAL USE ONLY

UNLESS OTHERWISE SPECIFIED, DIMENSIONS ARE IN INCHES AND TOLERANCES ARE: 2 PLACE DECIMAL 3 PLACE DECIMAL ANGLES ±.015 (0.381 mm) ±.005 (0.127 mm) ± 1°	MATERIAL REFERENCE GEN# ASSYF12.SMB	DRAWN C. McGRATH	DATE 03-Oct-00	TITLE SMB RIGHT ANGLE JACK CRIMP TYPE FOR RG-188 & RG-316	Amphenol RF Danbury, CT, USA Tainan, Taiwan Shenzhen, China www.amphenolrf.com
		ENGINEER P. BRENZEL	DATE 03-Oct-00		
NOTICE - These drawings, specifications, or other data (1) are, and remain the property of Amphenol Corp. (2) must be returned upon request; and (3) are confidential and not to be disclosed to any person other than those to whom they are given by Amphenol Corp. The furnishing of these drawings, specifications, or other data by Amphenol Corp., or to any other person for any purpose is not to be regarded by implication or otherwise in any manner licensing, granting rights or permitting such holder or any other person to manufacture, use or sell any product, process or design, patented or otherwise, that may in any way be related to or disclosed by said drawings, specifications, or other data.		APPROVED K. CAPOZZI	DATE 10/7/08	SCALE: 5.0:1	SHEET 2 OF 2
		CAD FILE I:\SMB\903-422J-51A	CODE ID 74868	DWG SIZE B	DRAWING NO. 903-422J-51A