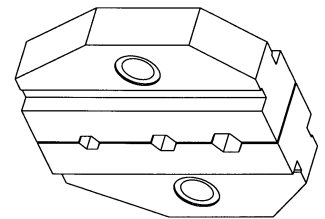
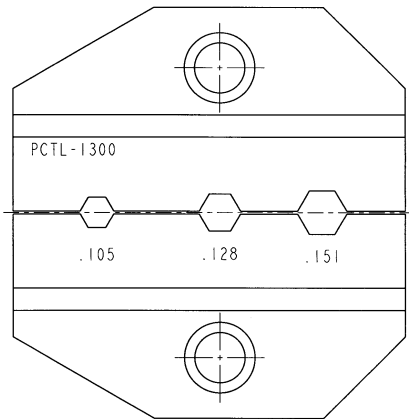


NOTES:

- APPROVED SOURCE:  
 IDEAL INDUSTRY  
 BECKER PLACE  
 SYCAMORE, ILL. 60178  
 P/N# = 01-1101-1  
 OUR P/N# = PCTL-1300

PCTL-1300		REVISIONS			
DRAWING NO.	REVI	DESCRIPTION	DATE	ECO	APPR
THIRD ANGLE PROJ.	A	RELEASE TO MFG.	7/19/00	43430	CPM



SCALE 2.000

UNLESS OTHERWISE SPECIFIED, DIMENSIONS ARE IN INCHES AND TOLERANCES ARE: 2 PLACE DECIMAL 3 PLACE DECIMAL ±.015 (0.381 mm) ±.005 (0.127 mm)	MATERIAL  REFERENCE EAR 967582-0 GEN# TOOL_DIESET1	DRAWN C. McGRATH	DATE 13-Jul-00	TITLE  HEX DIE SET .105, .128, .151	<b>Amphenol</b> Amphenol Corporation Communication and Network Products Division Danbury, CT U.S.A. 06810			
		ENGINEER T. AUBIN	DATE 13-Jul-00					
NOTICE - These drawings, specifications, or other data (1) are, and remain the property of Amphenol Corp. (2) must be returned upon request; and (3) are confidential and not to be disclosed to any person other than those to whom they are given by Amphenol Corp. The furnishing of these drawings, specifications, or other data by Amphenol Corp., or to any other person for any purpose is not to be regarded by implication or otherwise in any manner licensing, granting rights or permitting such holder or any other person to manufacture, use or sell any product, process or design, patented or otherwise, that may in any way be related to or disclosed by said drawings, specifications, or other data.	APPROVED 	DATE 7/19/00	CAD FILE I:\TOOL-PARTS\PCTL-1300	CODE ID 74868	DWG SIZE B	DRAWING NO. PCTL-1300	SCALE: 3.0:1   SHEET 1 OF 1	REV A