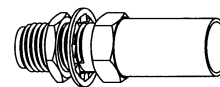


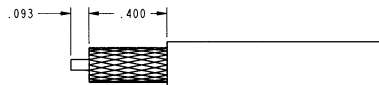
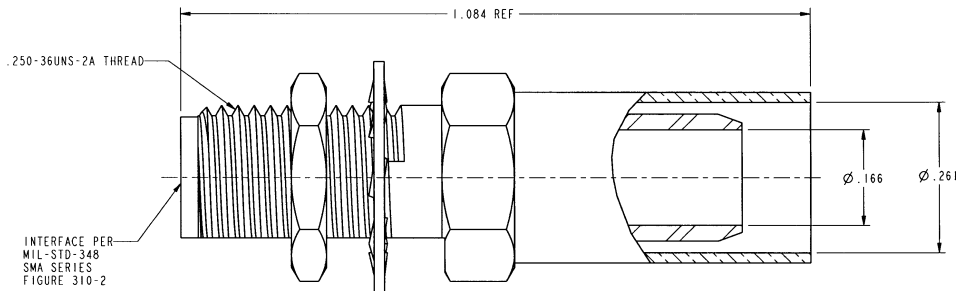
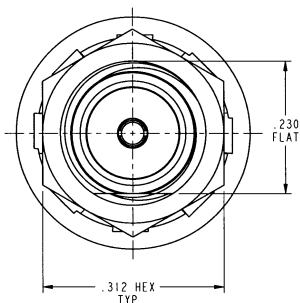
NOTES:

- DO NOT SCALE THIS DRAWING.
- MATERIAL AND FINISH:
CONTACT: BERYLLIUM COPPER, GOLD PLATED
FERRULE: ANNEALED COPPER, NICKEL PLATED
INSULATOR: TFE FLUOROCARBON
OTHER METAL PARTS: STAINLESS STEEL, PASSIVATED
- CRIMP USING TOOL 227-994, CRIMP DIE 227-1221-59
CAVITY "A" (.255 HEX).

901-10015		REVISIONS			
DRAWING NO.	REV	DESCRIPTION	DATE	ECO	APPR
THIRD ANGLE PROJ.	A	OFFICIAL ENG. RELEASE TO MFG.	6/1/99	42987	PB/TA



SCALE 2.000



CABLE STRIPPING DIMENSIONS

CUSTOMER OUTLINE DRAWING
FOR REFERENCE ONLY

UNLESS OTHERWISE SPECIFIED, DIMENSIONS ARE IN INCHES AND TOLERANCES ARE: 2 PLACE DECIMAL ±.015 (0.381 mm) 3 PLACE DECIMAL ±.005 (0.127 mm) ANGLES ± 1°	MATERIAL	DRAWN P. BRENZEL	DATE 25-May-99	TITLE SMA BULKHEAD JACK FOR TWB 2401 CABLE	Amphenol Amphenol Corporation Communication and Network Products Division Danbury, CT U.S.A. 06810			
	NOTICE - These drawings, specifications, or other data (1) are, and remain the property of Amphenol Corp. (2) must be returned upon request; and (3) are confidential and not to be disclosed to any person other than those to whom they are given by Amphenol Corp. The furnishing of these drawings, specifications, or other data by Amphenol Corp., or to any other person to anyone for any purpose is not to be regarded by implication or otherwise in any manner licensing, granting rights or permitting such holder or any other person to manufacture, use or sell any product, process or design, patented or otherwise, that may in any way be related to or disclosed by said drawings, specifications, or other data.	REFERENCE EAR 102-967212 1 615X-1530-100 GEN # ASSYF26_SMA	ENGINEER P. BRENZEL	DATE 25-May-99		APPROVED 	DATE 6/1/99	
		CAD FILE I:\SMA\901-10015		CODE ID 74868	DWG SIZE B	DRAWING NO. 901-10015	SCALE: 6.0:1 SHEET 1 OF 1	REV A