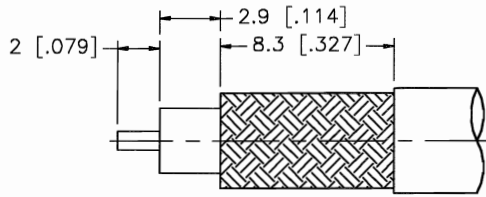
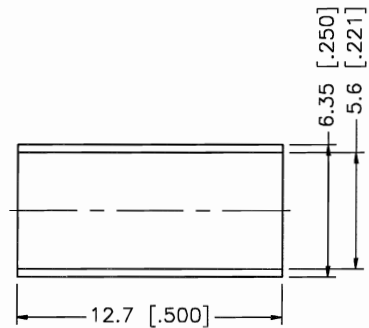
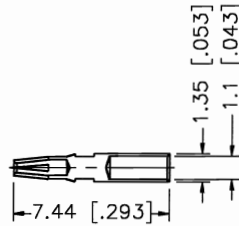
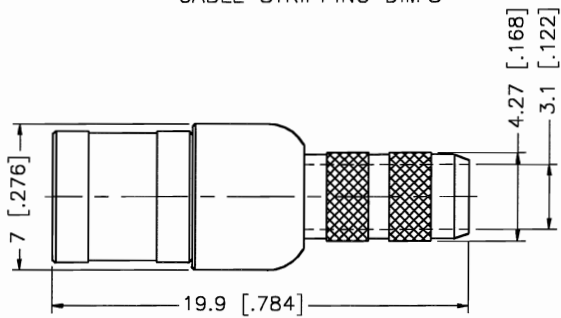



REV.	DATE	DESCRIPTION
NC	03/13/00	INITIAL RELEASE



RECOMMENDED
CABLE STRIPPING DIM'S



CRIMP NOTE:
1. CRIMPED FERRULE
HEX CRIMP SIZE .213"

DESCRIPTION	MATERIAL	FINISH	UNLESS OTHERWISE SPECIFIED DIMENSIONS ARE IN MILLIMETERS	APPROVALS	DATE							
1 BODY	BRASS	NICKEL	<small>UNLESS OTHERWISE SPECIFIED DIMENSIONS IN [] ARE IN INCHES FOR CUSTOMER REFERENCE ONLY</small> <small>UNLESS OTHERWISE SPECIFIED TOLERANCES FOR MILLIMETERS ARE:</small> 0.5-6 = ± 0.2 6-30 = ± 0.4 30-120 = ± 0.6 120-315 = ± 1 315-1000 = ± 1.6 1000-2000 = ± 2.4	DRAWN	G.R.S.					03/13/00	TITLE SMB CRIMP PLUG (FOR RG-142A/U, 223/U, 400/U CABLE)	
2 INSULATOR	TEFLON	NATURAL		CHECKED			SIZE	FSCM NO.	DWG. NO.	REV.		
3 CONTACT PIN	BER. COPPER	GOLD					A	99001	142219.DWG	NC		
4 FERRULE	COPPER	NICKEL					SCALE	NA	PART NO.	142219	SHEET	1 OF 1
5												
6												
7												
8				DO NOT SCALE DRAWING								