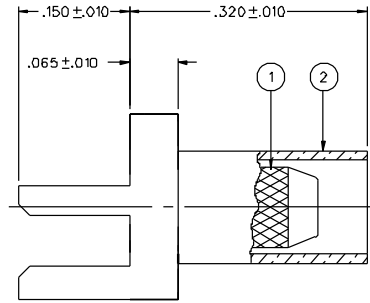
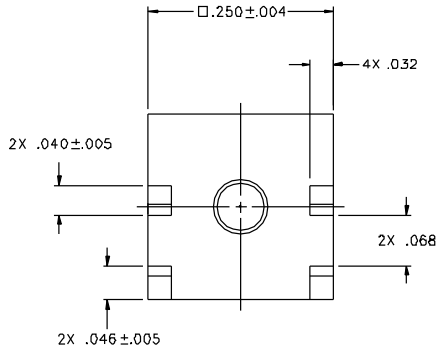
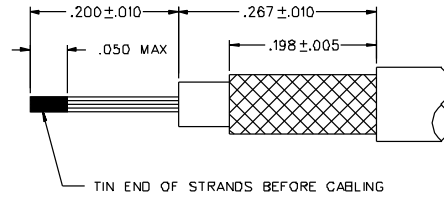
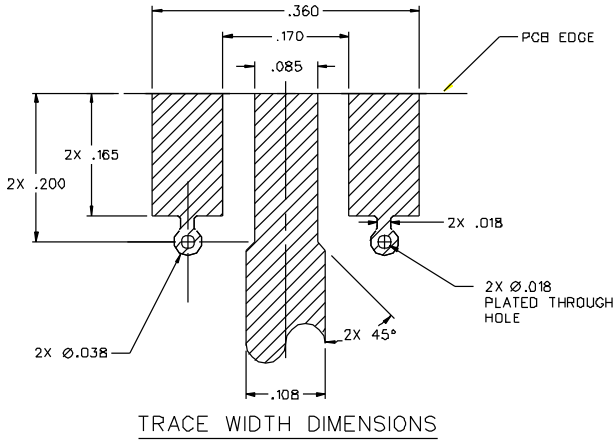


PART NUMBER	ITEM ① BODY	ITEM ② CRIMP SLEEVE
142-0003-801	BRASS GOLD PL .00001 MIN OVER NICKEL PL .00005 MIN OVER COPPER PL .00005 MIN	COPPER GOLD PL .00001 MIN OVER NICKEL PL .00005 MIN OVER COPPER PL .00005 MIN
142-0003-806	BRASS NICKEL PL .0001 MIN OVER COPPER PL .00005 MIN	COPPER NICKEL PL .0001 MIN OVER COPPER PL .00005 MIN

DRAWING NO.	
C -	142-0003-801/810
REVISIONS	
0	REVISIONS
ENGINEERING RELEASE	
1	8-25-98 R J K T T S ECN 45B22



DIMENSIONS ARE SYMMETRICAL ABOUT THE CENTERLINE



CABLE STRIP DIMENSIONS

CUSTOMER DRAWING  
THIS DRAWING TO BE INTERPRETED  
PER ANSI Y 14.5M - 1982  
"μSTATION"  
COMPANY CONFIDENTIAL

NOTES:

- SPECIFICATIONS:  
CABLE ACCEPTABILITY: RG 188/U, RG 316/U, RG 161/U  
RG 174/U, RG 179/U, RG 187/U  
CABLE HEX CRIMP SIZE: #128  
CABLE RETENTION: 20 LBS  
IMPEDANCE: 50 OHMS

TOLERANCE UNLESS OTHERWISE SPECIFIED	DRAWN BY KAS	DATE 5/19/98	 299 Johnson Ave. P.O. Box 1732 Waseca, MN 56093-0832
.XX	CHECKED BY KAS	DATE 8-27-98	
.XXX+- .003	APPROVED BY TAK	DATE 9-9-98	TITLE CABLE TERMINATION, .068 END LAUNCH, RG 316
MATL	APPROVED BY RJD	DATE 9-11-98	CODE NO. C - 142-0003-801/810
FINISH	RELEASE DATE		SCALE 10:1 U/M INCH SHEET 2 OF 2