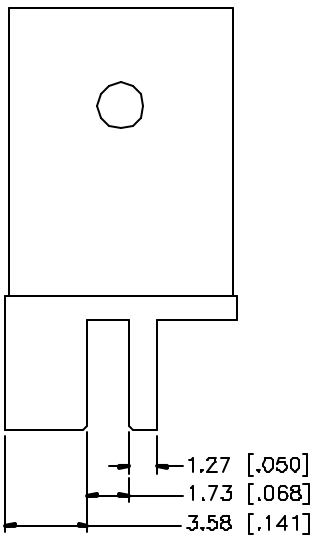
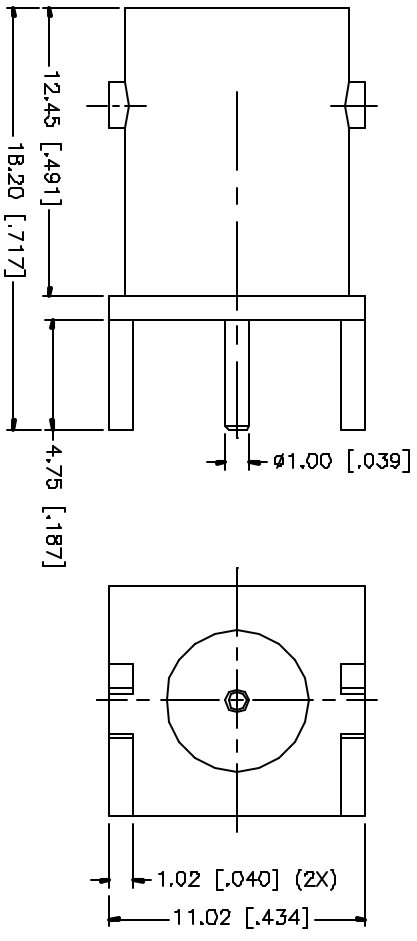


| REV. | DATE     | DESCRIPTION           |
|------|----------|-----------------------|
| A    | 05/01/04 | UPDATE DRAWING FORMAT |



| QTY | FINISH  | MATERIAL     | DESCRIPTION    |
|-----|---------|--------------|----------------|
| 1   | NICKEL  | BRASS        | INSULATOR BODY |
| 1   | NATURAL | TEFLON       | INSULATOR      |
| 1   | GOLD    | PHOS. BRONZE | CONTACT PIN    |

| APPROVALS    | DATE     |
|--------------|----------|
| DRAWN G.R.S. | 05/01/04 |
| CHECKED      |          |
| ESILED       |          |
| SHEET 1 OF 1 |          |

|   |
|---|
| LAUNCH OPERATOR SPECIFIED DIMENSIONS ARE IN MILLIMETERS. DIMENSIONS IN [ ] ARE IN INCHES AND FOR REFERENCE PURPOSES ONLY. LAUNCH OPERATOR SPECIFIED TOLERANCES FOR MILLIMETERS ARE:<br>0.5 - .8mm ± 0.25mm<br>.8 - 3.0mm ± 0.10mm<br>3.0 - 12.0mm ± 0.50mm<br>LAUNCH OPERATOR SPECIFIED DIMENSIONS FOR INCHES ARE:<br>.020 - .315 ± 0.007"<br>.315 - 1.180 ± 0.016"<br>1.180 - 4.724 ± 0.020"<br>DO NOT SCALE DRAWING |
|---|

|   |  |
|---|--|
| <b>Amphenol Connex</b><br>PART DESCRIPTION<br><b>BNC END LAUNCH RECEIPT. JACK - 75ohm</b> | Dwg. No. 112622.DWG<br>Part No. 112622<br>Rev. A<br>Size A<br>Scale NA |
|---|--|