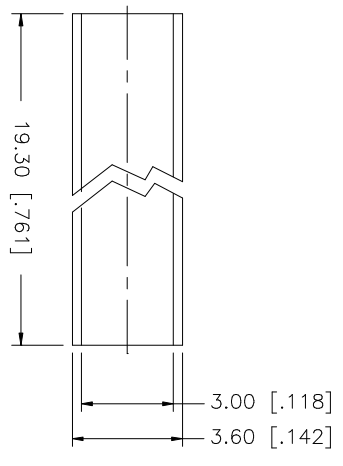
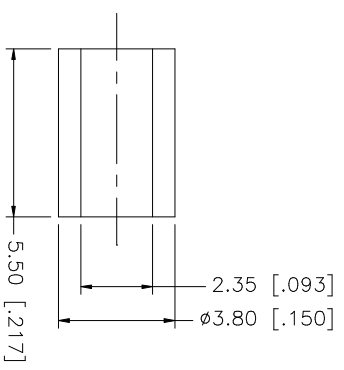
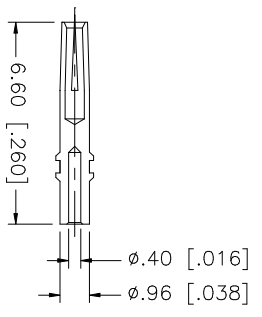
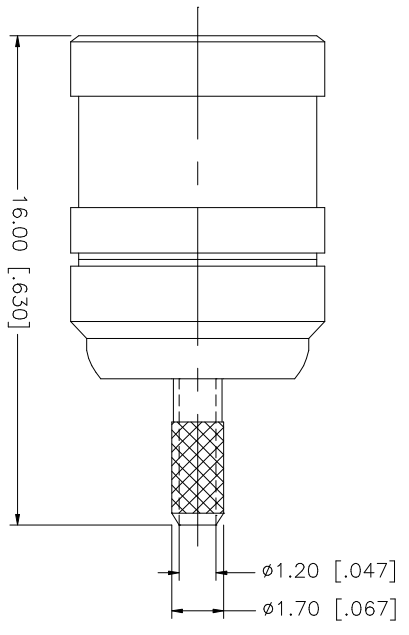
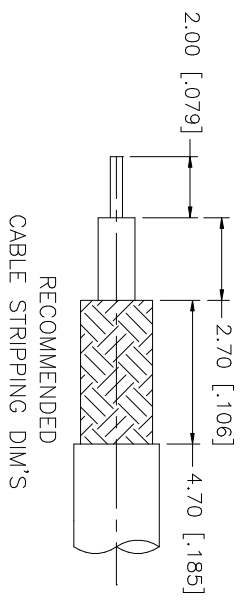


REV.	DATE	DESCRIPTION
NC	09/22/99	INITIAL RELEASE
A	07/20/05	UPDATE DRAWING FORMAT



8					UNLESS OTHERWISE SPECIFIED DIMENSIONS ARE IN MILLIMETERS. DIMENSIONS IN [] ARE IN INCHES AND FOR CUSTOMER REFERENCE ONLY.
7					UNLESS OTHERWISE SPECIFIED TOLERANCES FOR MILLIMETERS ARE:
6					0.5 - 8mm ± 0.20mm
5	HEAT SHRINK TUBE				8 - 30mm ± 0.40mm
4	FERRULE	COPPER	GOLD	1	30 - 120mm ± 0.50mm
3	CONTACT PIN	BER. COPPER	GOLD	1	UNLESS OTHERWISE SPECIFIED TOLERANCES FOR INCHES ARE:
2	INSULATOR	TEFLON	NATURAL	1	.020 - .315 = ± 0.007"
1	BODY	BRASS	GOLD	1	.315 - 1.180 = ± 0.015"
	DESCRIPTION	MATERIAL	FINISH	QTY	DO NOT SCALE DRAWING

Amphenol Connex

SMB CRIMP PLUG
(FOR RG-178/U, 196/U CABLE)

1422229

APPROVALS	DATE
DRAWN G.R.S.	07/20/05
CHECKED	
ISSUED	
SHEET 1 OF 1	

CAD FILE	C:/142/142229.DWG
DWG. NO.	142229.DWG
REV.	A
SIZE	A
SCALE	NA