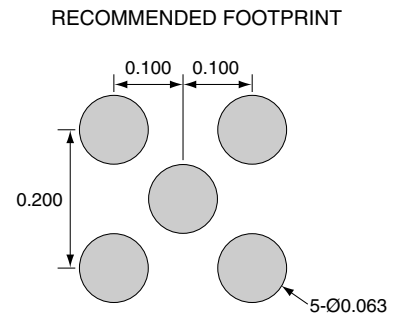
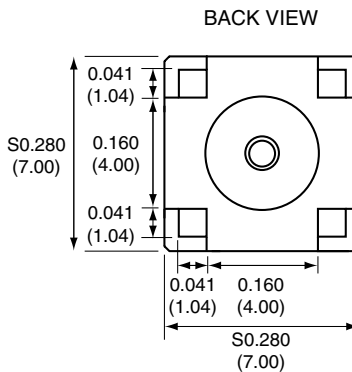
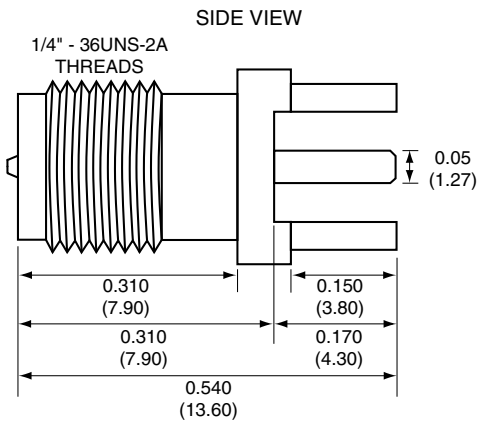


1		
Description	Material	Finish
Body	Brass	Nickel
Pin	BE CU	Gold
Insulation	Teflon	Teflon



Title		CONNECTOR CITY 159 ORT LANE MERLIN, OR 97532	
RP-SMA FEMALE PCB MOUNT		PH (541)-471-6256 FAX (541)-471-6251	
Part No.	CONREVSM001	Revision:	1.0
Dimensions:	INCHES (mm)	Date:	3/2/2005
		Sheet 1 of 1	

**CONNECTOR CITY**  
THE VALUE OF CONNECTIONS