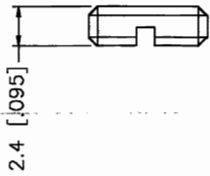
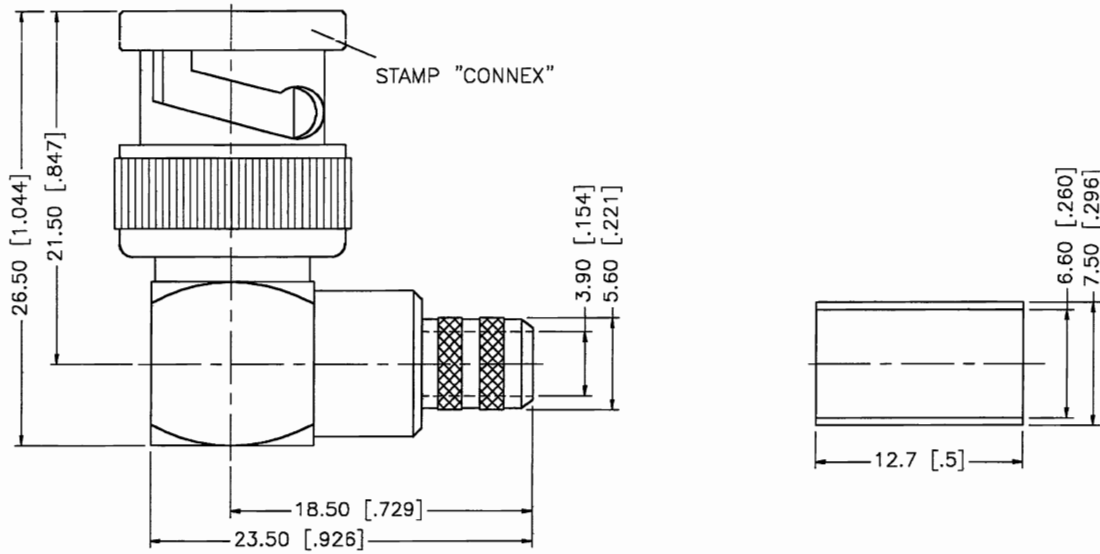
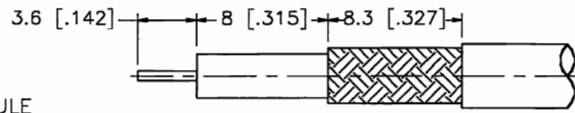



REV.	DATE	DESCRIPTION
NC	06/11/00	INITIAL RELEASE



CRIMP NOTES:
1. CRIMPED FERRULE
HEX CRIMP SIZE .255"



RECOMMENDED
CABLE STRIPPING DIM'S

DESCRIPTION	MATERIAL	FINISH	UNLESS OTHERWISE SPECIFIED DIMENSIONS ARE IN MILLIMETERS	APPROVALS	DATE						
1 BODY	BRASS	NICKEL	DIMENSIONS IN [] ARE IN INCHES FOR CUSTOMER REFERENCE ONLY UNLESS OTHERWISE SPECIFIED TOLERANCES FOR MILLIMETERS ARE: 0.5-6 = ± 0.2 6-30 = ± 0.4 30-120 = ± 0.6 120-315 = ± 1 315-1000 = ± 1.6 1000-2000 = ± 2.4	DRAWN	G.R.S.					06/11/00	TITLE
2 INSULATOR	TEFLON	NATURAL		CHECKED			SIZE	FSCM NO.	DWG. NO.	REV.	
3 CONTACT PIN	BRASS	GOLD		ISSUED		A	99001	112960.DWG	NC		
4 FERRULE	COPPER	NICKEL				SCALE	NA	PART NO.	112960	SHEET	1 OF 1
5											
6											
7											
8			DO NOT SCALE DRAWING								