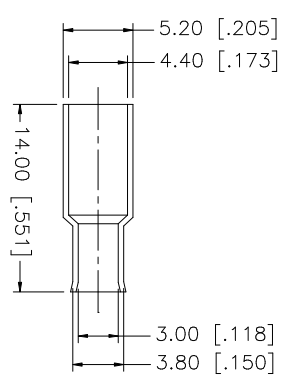
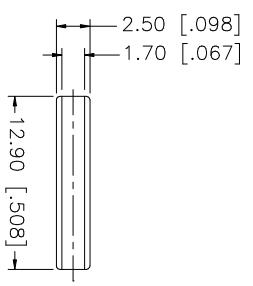
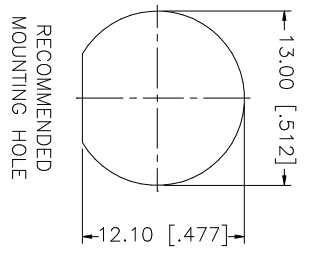
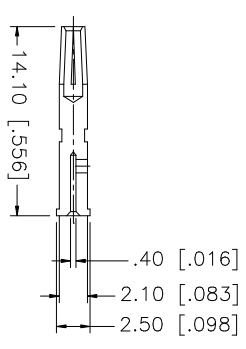
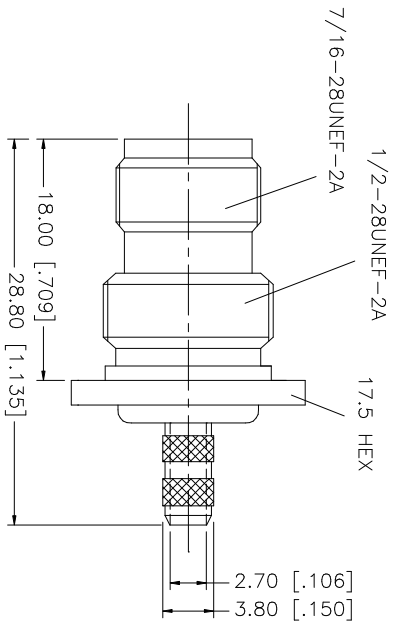
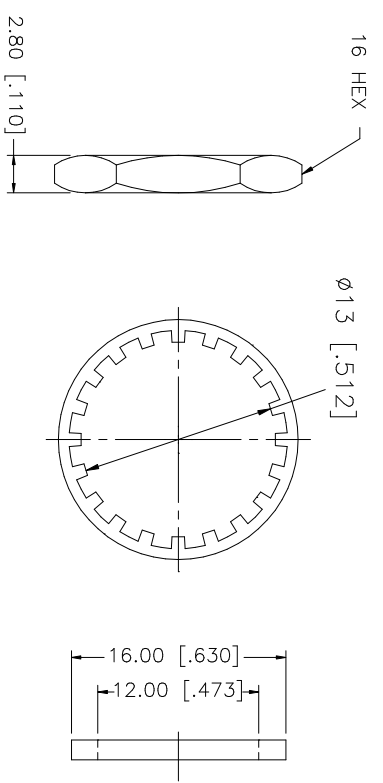
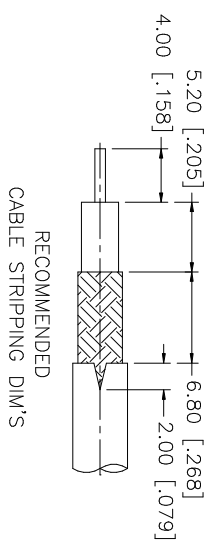


REV.	DATE	DESCRIPTION
A	06/01/06	UPDATE DRAWING FORMAT



DESCRIPTION	MATERIAL	FINISH	QTY	DO NOT SCALE DRAWING	APPROVALS	DATE	PART DESCRIPTION	PART NO.	DWG. NO.	REV.	SIZE	SCALE
1	BRASS	NICKEL	1	1.180 - 4.724 = ± 0.020"	UNLESS OTHERWISE SPECIFIED DIMENSIONS ARE IN MILLIMETERS. DIMENSIONS IN [] ARE IN INCHES AND FOR CUSTOMER REFERENCE ONLY. TOLERANCES FOR MILLIMETERS ARE: 0.5 - 8mm ± 0.20mm 8 - 30mm ± 0.40mm 30 - 120mm ± 0.50mm	06/01/06	TNC BULKHEAD CRIMP JACK (RG-179/U, 187/U CABLE)	122193	122193.DWG	A	A	NA
2	DELIRIN	NATURAL	1	.020 - .315 = ± 0.007"								
3	PHOS. BRONZE	GOLD	1	.315 - 1.180 = ± 0.015"								
4	SILICONE	RED	1	1.180 - 4.724 = ± 0.020"								
5	BRASS	NICKEL	1									
6	BRASS	NICKEL	1									
7	DELIRIN	NATURAL	1									
8	COPPER	NICKEL	1									
CAD FILE: C:/122/122193.DWG												