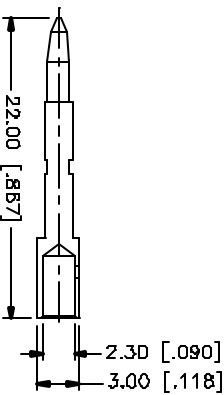
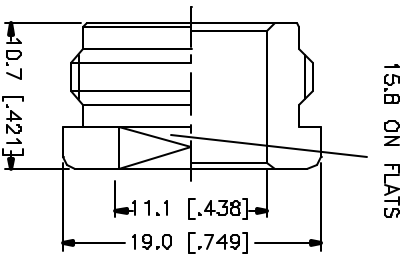
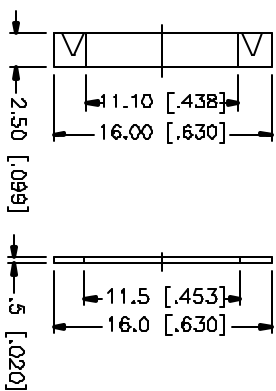
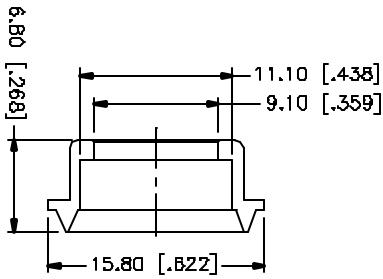
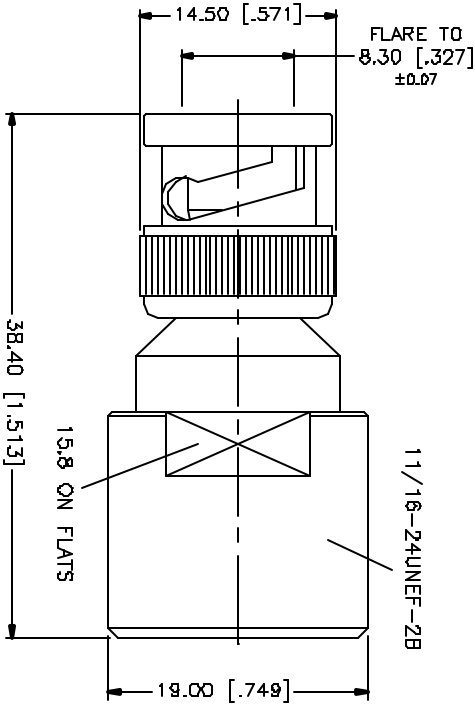
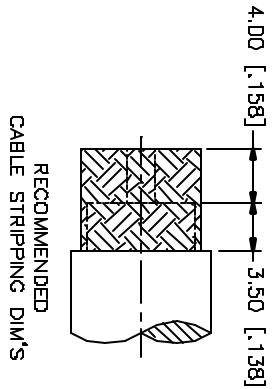


REV.	DATE	DESCRIPTION
A	03/18/05	MODIFY DESCRIPTION - UPDATE DRAWING FORMAT



NOTE:  
1. CRIMPED CONTACT PIN  
HEX CRIMP SIZE .100\*  
OR SOLDER.

NO.	DESCRIPTION	MATERIAL	FINISH	QTY	DO NOT SCALE DRAWING	APPROVALS	DATE	PART DESCRIPTION
8	NUT	BRASS	NICKEL	1		APPROVALS DRAWN C.R.S. CHECKED ISSUED SHEET 1 OF 1	DATE 03/18/05	<b>Amphenol Connex</b> BNC CLAMP PLUG (RG-8/U, 213/U, 214/U CABLE) PART N/A 112531
7	WASHER	BRASS	NICKEL	1				
6	GASKET	SILICONE	RED	1				
5	BRAID CLAMP	BRASS	NICKEL	1				
4	CONTACT PIN	PHOS. BRONZE	GOLD	1				
3	INSULATOR	TEFLON	NATURAL	1				
2	SHELL/BODY	BRASS	NICKEL	1				
1	DESCRIPTION							

UNLESS OTHERWISE SPECIFIED, DIMENSIONS ARE IN MILLIMETERS UNLESS INDICATED OTHERWISE IN PARENTHESES AND THE DIMENSION REFERENCE SHALL TAKE PRECEDENCE OVER THE UNIT DESIGNATION.

UNLESS OTHERWISE SPECIFIED, DIMENSIONS ARE IN MILLIMETERS UNLESS INDICATED OTHERWISE IN PARENTHESES AND THE DIMENSION REFERENCE SHALL TAKE PRECEDENCE OVER THE UNIT DESIGNATION.

UNLESS OTHERWISE SPECIFIED, DIMENSIONS ARE IN MILLIMETERS UNLESS INDICATED OTHERWISE IN PARENTHESES AND THE DIMENSION REFERENCE SHALL TAKE PRECEDENCE OVER THE UNIT DESIGNATION.

UNLESS OTHERWISE SPECIFIED, DIMENSIONS ARE IN MILLIMETERS UNLESS INDICATED OTHERWISE IN PARENTHESES AND THE DIMENSION REFERENCE SHALL TAKE PRECEDENCE OVER THE UNIT DESIGNATION.

NO.	DESCRIPTION	MATERIAL	FINISH	QTY	DO NOT SCALE DRAWING
8	NUT	BRASS	NICKEL	1	
7	WASHER	BRASS	NICKEL	1	
6	GASKET	SILICONE	RED	1	
5	BRAID CLAMP	BRASS	NICKEL	1	
4	CONTACT PIN	PHOS. BRONZE	GOLD	1	
3	INSULATOR	TEFLON	NATURAL	1	
2	SHELL/BODY	BRASS	NICKEL	1	
1	DESCRIPTION				

NO.	DESCRIPTION	MATERIAL	FINISH	QTY	DO NOT SCALE DRAWING
8	NUT	BRASS	NICKEL	1	
7	WASHER	BRASS	NICKEL	1	
6	GASKET	SILICONE	RED	1	
5	BRAID CLAMP	BRASS	NICKEL	1	
4	CONTACT PIN	PHOS. BRONZE	GOLD	1	
3	INSULATOR	TEFLON	NATURAL	1	
2	SHELL/BODY	BRASS	NICKEL	1	
1	DESCRIPTION				