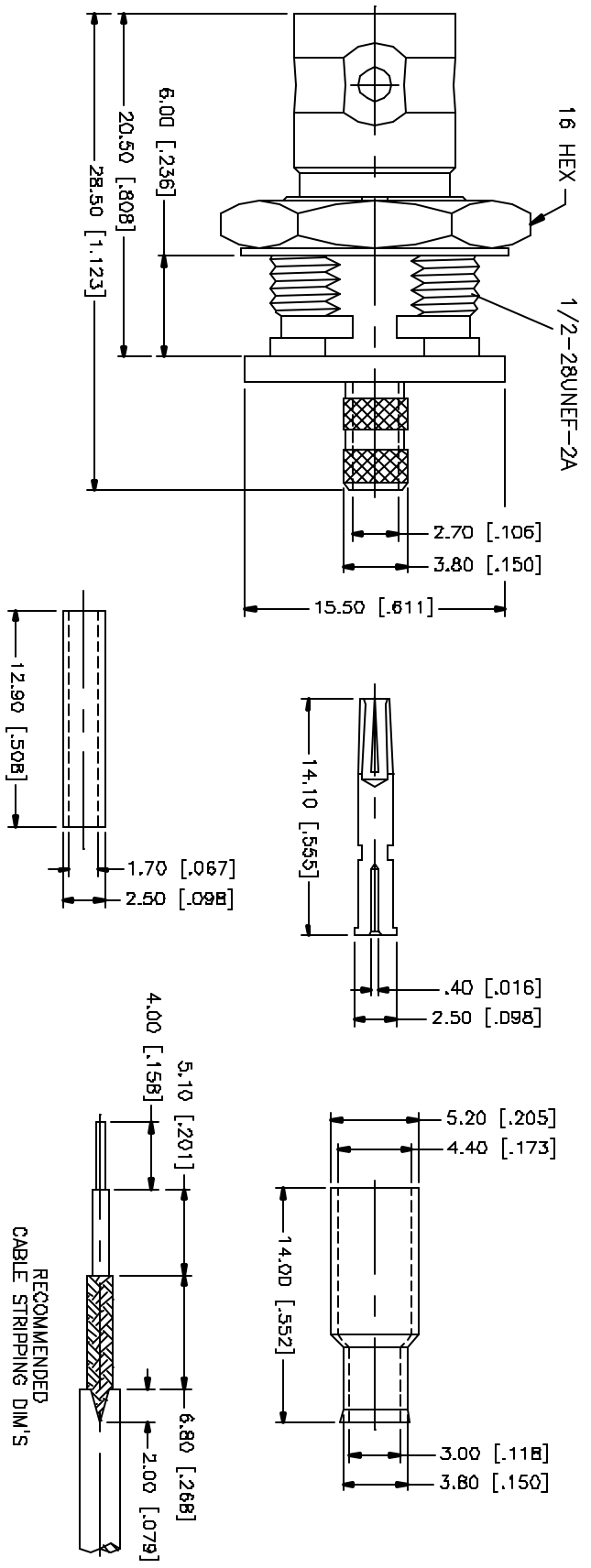
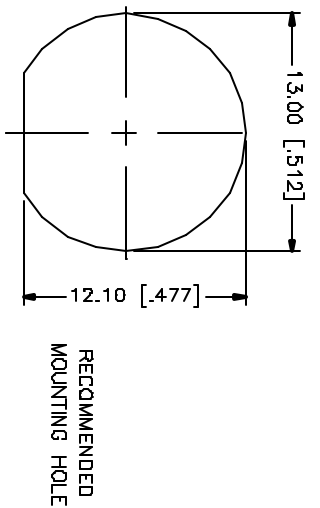


REV.	DATE	DESCRIPTION
A	03/08/05	UPDATE DRAWING FORMAT



QTY	FINISH	MATERIAL	DESCRIPTION
1	NICKEL	COPPER	FERRULE
1	NICKEL	BRASS	HEX NUT
1	NICKEL	BRASS	LOCK WASHER
1	GOLD	PHOS. BRONZE	CONTACT PIN
1	NATURAL	TEFLON	INSULATOR
1	NICKEL	DIE CAST	BODY

APPROVALS	DATE
DRAWN G.R.S.	03/08/05
CHECKED	
ASSEMBLED	
SHEET 1 OF 1	

PART DESCRIPTION	PART NO.
BNC BULKHEAD JACK (ISOLATED) (FOR RG-179 CABLE - 75ohm)	112253

QAD FILE	DWG NO.	REV.	SIZE	SCALE
C:/112/112253.DWG	112253.DWG	A	A	NA

Amphenol Connex