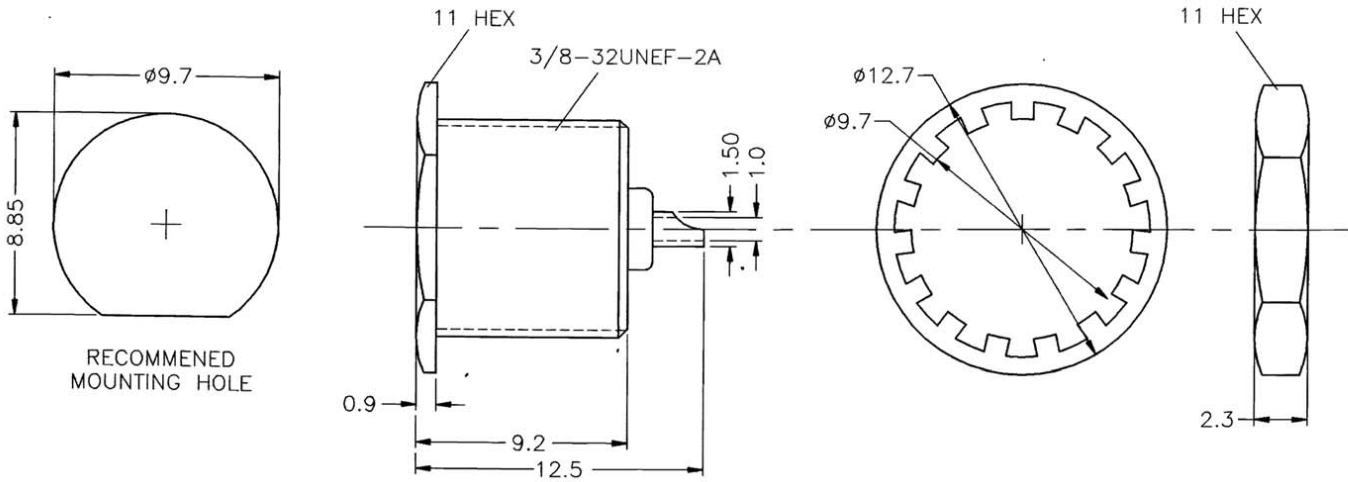



| | | |
|------|----------|-----------------|
| REV. | DATE | DESCRIPTION |
| NC | 06/16/97 | INITIAL RELEASE |



| DESCRIPTION | MATERIAL | FINISH | DIMENSIONS ARE IN MILLIMETERS | APPROVALS | DATE |  | | | | |
|---------------|----------|---------|--|-----------|--------|---|--|----------|------------|--------|
| 1 BODY | BRASS | NICKEL | UNLESS OTHERWISE SPECIFIED TOLERANCES ARE: 0.5-6 = ± 0.2 6-30 = ± 0.4 30-120 = ± 0.6 120-315 = ± 1 315-1000 = ± 1.6 1000-2000 = ± 2.4 DO NOT SCALE DRAWING | DRAWN | G.R.S. | 06/16/97 | TITLE SMB BULKHEAD RECESSED RECEPT. JACK | | | |
| 2 INSULATOR | TEFLON | NATURAL | | CHECKED | | | SIZE | FSCM NO. | DWG. NO. | REV. |
| 3 CONTACT PIN | BRASS | GOLD | | ISSUED | | | A | 99001 | 142158.DWG | NC |
| 4 | | | | | | | SCALE | PART NO. | 142158 | SHEET |
| 5 | | | | | | | | | | 1 OF 1 |
| 6 | | | | | | | | | | |
| 7 | | | | | | | | | | |
| 8 | | | | | | | | | | |